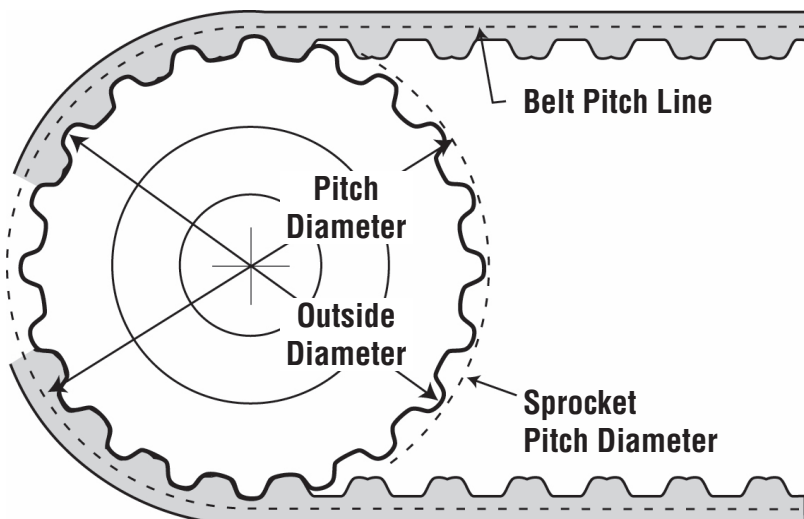


Stock HTS[®] Sprockets

Features of HTS[®] Drives

- Positive slip proof engagement
- Wide speed range
- Constant driven speeds
- Wide range of load capabilities
- No lubrication
- High tension eliminated
- High mechanical efficiency
- Economical operation



HTS[®] High Torque Sprockets

- RPP[®] tooth profile
- Available in 5mm, 8mm, 14mm & 20mm pitch
- Stocked in QD, MST[®] and taper bush interchangeable bushing styles, as well as stock bore.

Martin HTS sprockets are manufactured in various sizes, dimensions and capacities to meet industry requirements. This includes a wide range of loads, speeds, and demanding applications.

The following is an explanation of dimensional nomenclature for Martin HTS sprockets as well as belts currently available that will operate efficiently with the Martin tooth form.

The HTS sprocket has three primary dimensions:

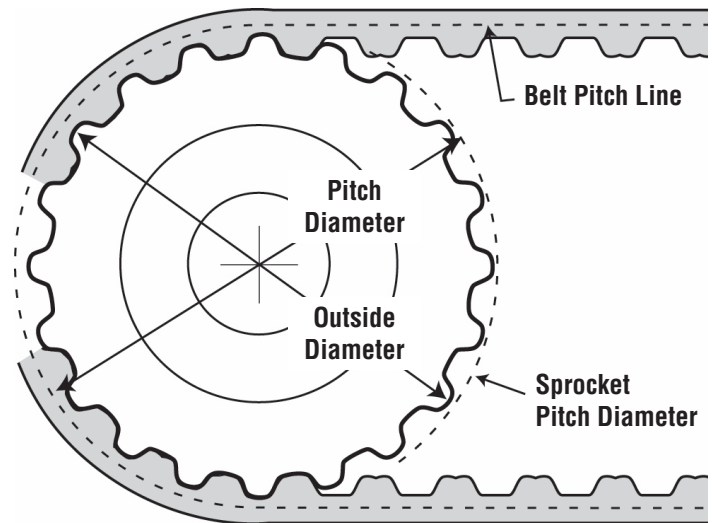
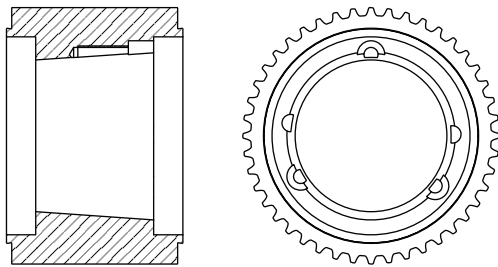
- Number of teeth
- Pitch
- Width

The pitch is the distance in millimeters from the center of one tooth groove to the other and is measured on the sprocket's pitch circle. The pitch circle of the sprocket matches with the pitch line of the belt when in mesh. The sprocket pitch diameter is always greater than its outer diameter.

Note: Belts must be run with sprockets of the same pitch.

As with the sprocket specifications, belt pitch is the measure between two adjacent tooth centers which is measured on the pitch line of the belt.

Note: The theoretical pitch line is within the tensile member. Belt length is the total length (circumference) in millimeters as could be measured along the pitch line.



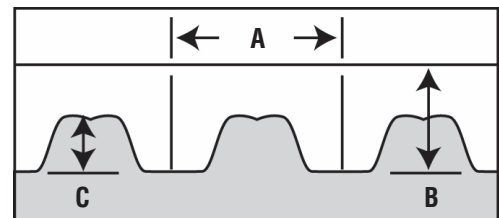
P 30 14M 55 - SK

HTS®	Bushing or MPB
Number of Teeth	
Belt Pitch	Belt Width (mm)
5mm	15, 25
8mm	20, 30, 50, 85
14mm	40, 55, 85, 115, 170
20mm	115, 170, 230, 290, 340

“P” HTS sprockets (RPP® tooth profile) - run with RPP®, RPP® Plus®, Hawk Pd®, & HTD® belts.

“P” HTS sprockets are designed to run with fiberglass corded belts.

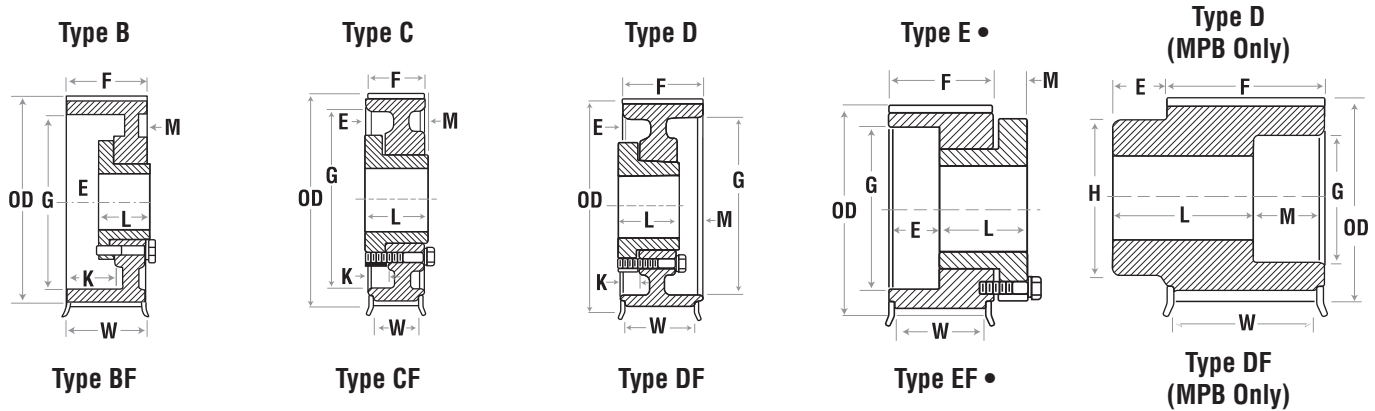
- Available in 5mm, 8mm, 14mm, 20mm pitches
- Belt widths:
 - 15mm, 25mm (5mm pitch)
 - 20mm, 30mm, 50mm, 85mm (8mm pitch)
 - 40mm, 55mm, 85mm, 115mm, 170mm (14mm pitch)
 - 115mm, 170mm, 230mm, 290mm, 340mm (20mm pitch)



Belt Pitch	A	B	C
5 mm	5 mm	3.81 mm	2.08 mm
	.197 in	.150 in	.082 in
8 mm	8 mm	6 mm	3.4 mm
	.315 in	.236 in	.133 in
14 mm	14 mm	10 mm	6.0 mm
	.552 in	.394 in	.237 in
20 mm	20 mm	13.2 mm	8.4 mm
	.784 in	.520 in	.330 in

Hawk Pd® is a registered trademarks of Goodyear.
RPP® and RPP® Plus® are registered trademarks of Carlisle Power Transmission. HTS® is a registered trademark of Gates Corporation.

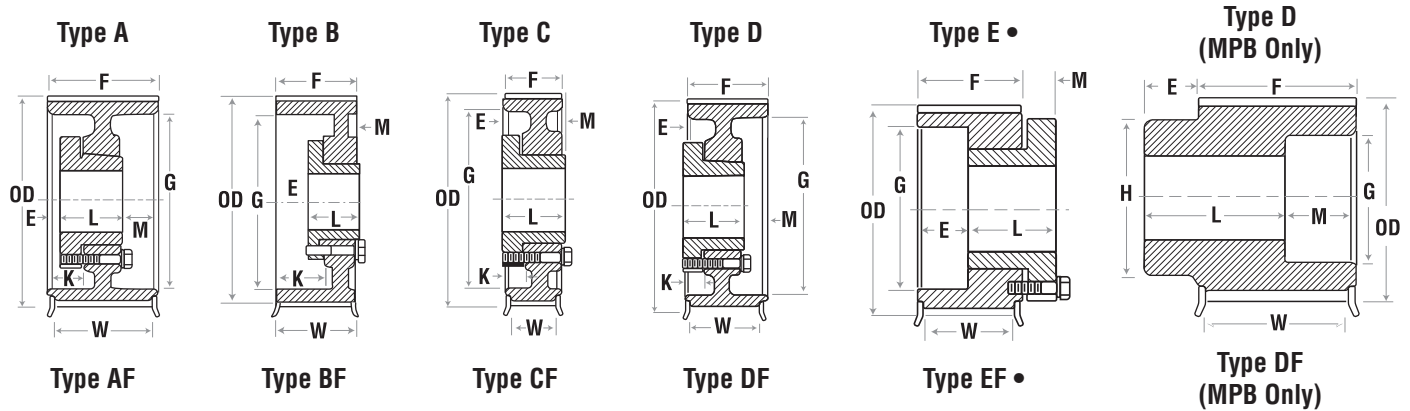
High Torque Sprockets 5mm



No. of Teeth	Catalog Number	Bore	Pitch	Diameter		Type +	Max Bore	Dimensions								Weight Approx. (lbs.)
				O.D.	Flange			E	L	M	K	H	F	G	W	
MPB 15mm (.591 in.) Wide Belts (5M-15)																
32	P325M15-MPB	0.5	2.005	1.960	2.16	DF-1	0.88	0.50	1.73	—	—	1.55	0.84	—	0.65	1.12
34	P345M15-MPB	0.5	2.130	2.085	2.29	DF-1	1.00	0.50	1.73	—	—	1.68	0.84	—	0.65	1.25
36	P365M15-MPB	0.5	2.256	2.211	2.41	DF-1	1.12	0.50	1.73	—	—	1.80	0.84	—	0.65	1.39
QD 15mm (.591 in.) Wide Belts (5M-15)																
38	P385M15-JA	JA	2.381	2.336	2.54	•EF-1	1.25	0.67	1.00	0.44	—	—	0.84	1.34	0.65	0.80
40	P405M15-JA	JA	2.506	2.461	2.66	•EF-1	1.25	0.67	1.00	0.44	—	—	0.84	1.34	0.65	1.06
44	P445M15-JA	JA	2.757	2.712	2.91	•EF-1	1.25	0.67	1.00	0.44	—	—	0.84	1.34	0.65	1.40
48	P485M15-JA	JA	3.008	2.963	3.16	BF-1	1.25	0.23	1.00	0.00	0.67	—	0.84	2.36	0.65	1.20
52	P525M15-JA	JA	3.258	3.213	3.41	BF-1	1.25	0.23	1.00	0.00	0.67	—	0.84	2.62	0.65	1.43
56	P565M15-SH	SH	3.509	3.464	3.66	DF-1	1.68	0.08	1.25	0.06	0.42	—	0.84	2.86	0.65	1.64
60	P605M15-SH	SH	3.760	3.715	3.92	DF-1	1.68	0.08	1.25	0.06	0.42	—	0.84	3.12	0.65	1.83
64	P645M15-SH	SH	4.010	3.965	4.16	DF-1	1.68	0.08	1.25	0.06	0.42	—	0.84	3.37	0.65	2.16
68	P685M15-SDS	SDS	4.261	4.216	4.41	CF-1	2.00	0.08	1.31	0.00	0.48	—	0.84	3.50	0.65	2.48
72	P725M15-SDS	SDS	4.511	4.466	4.66	CF-1	2.00	0.08	1.31	0.00	0.48	—	0.84	3.75	0.65	2.84
80	P805M15-SDS	SDS	5.013	4.968	—	C-1	2.00	0.08	1.31	0.00	0.48	—	0.84	4.25	0.65	3.61
90	P905M15-SDS	SDS	5.639	5.594	—	C-1	2.00	0.08	1.31	0.00	0.48	—	0.84	4.88	0.65	4.69
112	P1125M15-SDS	SDS	7.018	6.973	—	C-2	2.00	0.08	1.31	0.00	0.48	—	0.84	6.05	0.65	6.02
MPB 25mm (.984 in.) Wide Belts (5M-25)																
32	P325M25-MPB	0.5	2.005	1.960	2.16	DF-1	0.88	0.50	1.34	—	—	1.55	1.23	—	1.04	0.84
34	P345M25-MPB	0.5	2.130	2.085	2.29	DF-1	1.00	0.50	1.34	—	—	1.68	1.23	—	1.04	0.93
36	P365M25-MPB	0.5	2.256	2.211	2.41	DF-1	1.12	0.50	1.34	—	—	1.80	1.23	—	1.04	1.03
QD 25mm (.984 in.) Wide Belts (5M-25)																
38	P385M25-JA	JA	2.381	2.336	2.54	•EF-1	1.25	0.28	1.00	0.44	—	—	1.23	1.34	1.04	0.61
40	P405M25-JA	JA	2.506	2.461	2.66	•EF-1	1.25	0.28	1.00	0.44	—	—	1.23	1.34	1.04	0.72
44	P445M25-JA	JA	2.757	2.712	2.91	•EF-1	1.25	0.28	1.00	0.44	—	—	1.23	1.34	1.04	0.95
48	P485M25-JA	JA	3.008	2.963	3.16	CF-1	1.25	0.16	1.00	0.00	0.28	—	1.23	2.36	1.04	0.97
52	P525M25-JA	JA	3.258	3.213	3.41	CF-1	1.25	0.16	1.00	0.00	0.28	—	1.23	2.62	1.04	1.17
56	P565M25-SH	SH	3.509	3.464	3.66	DF-1	1.68	0.50	1.25	0.09	0.00	—	1.23	—	1.04	1.37
60	P605M25-SH	SH	3.760	3.715	3.92	DF-1	1.68	0.50	1.25	0.09	0.00	—	1.23	—	1.04	1.68
64	P645M25-SH	SH	4.010	3.965	4.16	DF-1	1.68	0.50	1.25	0.09	0.00	—	1.23	—	1.04	1.80
68	P685M25-SDS	SDS	4.261	4.216	4.41	CF-1	2.00	0.47	1.31	0.00	0.09	—	1.23	3.50	1.04	2.10
72	P725M25-SDS	SDS	4.511	4.466	4.66	CF-1	2.00	0.47	1.31	0.00	0.09	—	1.23	3.75	1.04	2.43
80	P805M25-SDS	SDS	5.013	4.968	—	C-1	2.00	0.47	1.31	0.00	0.09	—	1.23	4.25	1.04	3.15
90	P905M25-SDS	SDS	5.639	5.594	—	C-1	2.00	0.47	1.31	0.00	0.09	—	1.23	4.88	1.04	4.17
112	P1125M25-SDS	SDS	7.018	6.973	—	C-1	2.00	0.47	1.31	0.00	0.09	—	1.23	6.05	1.04	5.16

* Weight Shown is for Sprocket Less Bushing.
• Reverse Mount Only

+ The numbers (1=Solid, 2=Web, 3=Arms) within the "Type" indicates construction, and the letter F indicates the sprocket has flanges.



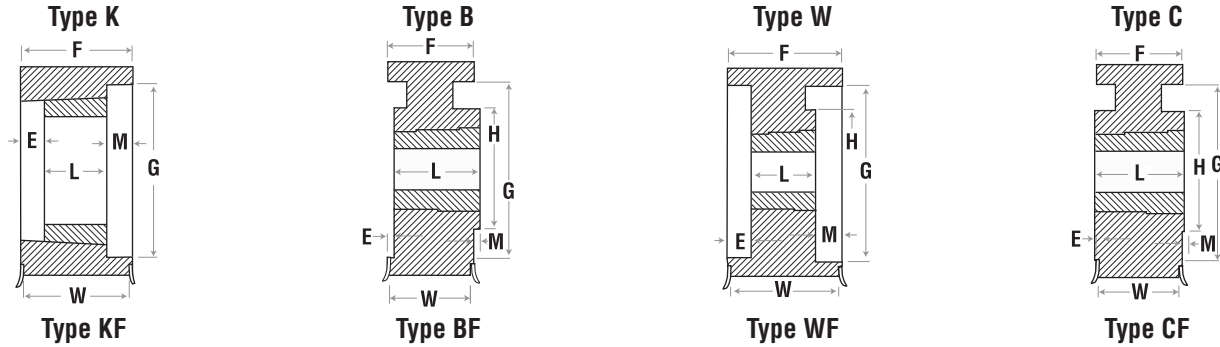
No. of Teeth	Catalog Number	Bore	Pitch	Diameter		Type +	Max Bore	Dimensions								Weight Approx. (lbs.)
				O.D.	Flange			E	L	M	K	H	F	G	W	
MPB 20mm (.787 in.) Wide Belts (8M-20)																
20	P208M20-MPB	1/2	2.005	1.951	2.375	DF-1	0.875	0.625	1.75	—	—	1.375	1.125	—	0.875	.90
21	P218M20-MPB	1/2	2.105	2.051	2.468	DF-1	1	0.625	1.75	—	—	1.5	1.125	—	0.875	1.00
22	P228M20-MPB	1/2	2.206	2.152	2.562	DF-1	1.1875	0.625	1.75	—	—	1.625	1.125	—	0.875	1.60
QD 20mm (.787 in.) Wide Belts (8M-20)																
24	P248M20-JA	JA	2.406	2.352	2.750	• EF-1	1.25	0.5625	1.0625	0.44	—	—	1.125	1.34	0.875	1.50
26	P268M20-JA	JA	2.607	2.553	2.937	• EF-1	1.250	0.5625	1.0625	0.4375	—	—	1.125	1.34	0.875	1.80
34	P348M20-SH	SH	3.409	3.355	3.750	DF-1	1.6875	0.1875	1.25	0.0625	0.3125	—	1.125	2.75	0.875	2.20
36	P368M20-SH	SH	3.609	3.555	3.937	DF-1	1.6875	0.1875	1.25	0.0625	0.3125	—	1.125	2.82	0.875	2.50
38	P388M20-SH	SH	3.810	3.756	4.156	DF-1	1.6875	0.1875	1.25	0.0625	0.3125	—	1.125	3	0.875	2.80
40	P408M20-SH	SH	4.010	3.956	4.344	DF-1	1.6875	0.1875	1.25	0.0625	0.3125	—	1.125	3	0.875	3.00
44	P448M20-SDS	SDS	4.411	4.357	4.750	CF-1	2	0.1875	1.25	—	0.375	—	1.125	3.5	0.875	3.20
48	P488M20-SDS	SDS	4.812	4.758	5.157	CF-1	2	0.1875	1.3125	—	0.375	—	1.125	3.8	0.875	3.40
56	P568M20-SDS	SDS	5.614	5.560	5.937	CF-1	2	0.1875	1.3125	—	0.375	—	1.125	4.6	0.875	4.50
64	P648M20-SDS	SDS	6.416	6.362	6.750	CF-1	2	0.1875	1.3125	—	0.375	—	1.125	5.4	0.875	5.50
72	P728M20-SDS	SDS	7.218	7.164	7.562	CF-1	2	0.1875	1.3125	—	0.375	—	1.125	6.2	0.875	6.00
80	P808M20-SDS	SDS	8.020	7.966	8.375	CF-2	2	0.1875	1.3125	—	0.375	—	1.125	6.9	0.875	6.50
90	P908M20-SDS	SDS	9.023	8.969	—	C-2	2	0.1875	1.3125	—	0.375	—	1.125	7.62	—	7.00
112	P1128M20-SK	SK	11.229	11.175	—	C-3	2.625	0.75	1.9375	0.0625	0.0625	—	1.125	9.87	—	10.50
144	P1448M20-SF	SF	14.447	14.388	—	C-3	2.9375	0.75	2.0625	0.0625	0.0625	—	1.125	12.88	—	14.50
MST® 20mm (.787 in.) Wide Belts (8M-20)																
28	P288M20-H	H	2.807	2.753	3.156	• EF-1	1.375	0.25	1.25	0.375	—	—	1.125	1.57	0.875	1.40
30	P308M20-H	H	3.008	2.954	3.344	• EF-1	1.375	0.25	1.25	0.375	—	—	1.125	1.57	0.875	1.90
32	P328M20-H	H	3.208	3.154	3.562	CF-1	1.375	0.125	1.25	—	0.25	—	1.125	2.56	0.875	2.00
Taper Bushed 20mm (.787 in.) Wide Belts (8M-20)																
24	P248M20-1108	1108	2.406	2.352	2.75	KF-1	1	0.0625	0.875	0.1875	—	—	1.125	1.783	0.875	.7
26	P268M20-1108	1108	2.607	2.553	2.94	KF-1	1	0.0625	0.875	0.1875	—	—	1.125	1.971	0.875	.9
28	P288M20-1108	1108	2.807	2.753	3.16	KF-1	1	0.0625	0.875	0.1875	—	—	1.125	2	0.875	1.2
30	P308M20-1210	1210	3.008	2.954	3.34	KF-1	1.25	0.125	1	—	—	—	1.125	—	0.875	1.2
32	P328M20-1210	1210	3.208	3.154	3.56	KF-1	1.25	0.125	1	—	—	—	1.125	—	0.875	1.4
34	P348M20-1610	1610	3.409	3.355	3.75	KF-1	1.6875	0.125	1	—	—	—	1.125	—	0.875	1.4
36	P368M20-1610	1610	3.609	3.555	3.94	KF-1	1.6875	0.125	1	—	—	—	1.125	—	0.875	1.7
38	P388M20-1610	1610	3.810	3.756	4.16	KF-1	1.6875	0.125	1	—	—	—	1.125	—	0.875	2.0
40	P408M20-1610	1610	4.010	3.956	4.34	KF-1	1.6875	0.125	1	—	—	—	1.125	—	0.875	2.4
44	P448M20-2012	2012	4.411	4.357	4.75	CF-1	2.125	—	1.25	0.125	—	3.8438	1.125	—	0.875	2.6
48	P488M20-2012	2012	4.812	4.758	5.16	CF-1	2.125	—	1.25	0.125	—	3.875	1.125	—	0.875	3.4
56	P568M20-2012	2012	5.614	5.560	5.94	CF-1	2.125	—	1.25	0.125	—	3.875	1.125	—	0.875	5.3
64	P648M20-2012	2012	6.416	6.362	6.75	CF-1	2.125	—	1.25	0.125	—	4.375	1.125	—	0.875	7.5
72	P728M20-2012	2012	7.218	7.164	7.56	CF-1	2.125	—	1.25	0.125	—	4.375	1.125	—	0.875	9.9
80	P808M20-2517	2517	8.020	7.966	8.38	CF-2	2.6875	—	1.75	0.625	—	4.875	1.125	6.9	0.875	11.9
90	P908M20-2517	2517	9.023	8.969	—	C-2	2.6875	—	1.75	0.625	—	—	1.125	7.63	—	12.9

* Weight Shown is for Sprocket Less Bushing.
• Reverse Mount Only

+ The numbers (1=Solid, 2=Web, 3=Arms) within the "Type" indicates construction, and the letter F indicates the sprocket has flanges.

High Torque Sprockets

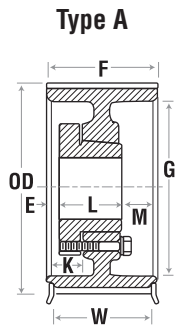
8mm



No. of Teeth	Catalog Number	Bore	Pitch	Diameter		Type +	Max Bore	Dimensions							Weight Approx. (lbs.)	
				O.D.	Flange			E	L	M	K	H	F	G		W
MPB 30mm (1.18in.) Wide Belts (8M-30)																
20	P208M30-MPB	0.5	2.005	1.951	2.375	DF-1	0.875	0.625	2.125	—	—	1.375	1.5	—	1.125	1.10
21	P218M30-MPB	0.5	2.105	2.051	2.468	DF-1	1	0.625	2.125	—	—	1.5	1.5	—	1.125	1.30
22	P228M30-MPB	0.5	2.206	2.152	2.562	DF-1	1.1875	0.625	2.125	—	—	1.625	1.5	—	1.25	1.40
24	P248M30-MPB	0.5	2.406	2.352	2.750	DF-1	1.25	0.625	2.125	—	—	1.8125	1.5	—	1.25	1.80
26	P268M30-MPB	0.5	2.607	2.553	2.937	DF-1	1.25	0.75	2.25	—	—	2	1.5	—	1.25	2.20
QD 30mm (1.18in.) Wide Belts (8M-30)																
34	P348M30-SH	SH	3.409	3.355	3.750	AF-1	1.375	0.19	1.25	.625	.688	—	1.5	2.75	1.25	2.40
36	P368M30-SH	SH	3.609	3.555	3.937	AF-1	1.688	0.1875	1.25	.625	.6875	—	1.5	2.82	1.25	2.80
38	P388M30-SH	SH	3.810	3.756	4.156	AF-1	1.6875	0.1875	1.25	.625	.6875	—	1.5	3	1.25	3.20
40	P408M30-SH	SH	4.010	3.956	4.344	AF-1	1.6875	0.1875	1.25	.625	.6875	—	1.5	3	1.25	3.60
44	P448M30-SDS	SDS	4.411	4.357	4.750	BF-1	1.6875	0.1875	1.31	—	.75	—	1.5	3.5	1.25	3.80
48	P488M30-SDS	SDS	4.812	4.758	5.157	BF-1	2	0.1875	1.3125	—	.75	—	1.5	3.8	1.25	4.20
56	P568M30-SDS	SDS	5.614	5.560	5.937	BF-1	2	0.1875	1.3125	—	.75	—	1.5	4.6	1.25	4.80
64	P648M30-SK	SK	6.416	6.362	6.750	CF-1	2	0.375	1.875	—	.25	—	1.5	5.4	1.25	6.10
72	P728M30-SK	SK	7.218	7.164	7.562	CF-1	3	0.375	1.875	—	.25	—	1.5	6.2	1.25	6.80
80	P808M30-SK	SK	8.020	7.966	8.375	CF-2	2.625	0.375	1.875	—	.25	—	1.5	6.9	1.25	7.50
90	P908M30-SK	SK	9.023	8.969	—	C-2	2.625	0.375	1.875	—	.25	—	1.5	7.6	—	11.00
112	P1128M30-SK	SK	11.229	11.175	—	C-3	2.625	0.375	1.875	—	.25	—	1.5	9.87	—	13.00
144	P1448M30-SF	SF	14.447	14.383	—	C-3	2.938	0.563	2.063	—	.25	—	1.5	12.88	—	25.50
192	P1928M30-E	E	19.249	19.195	—	C-3	—	1.3125	2.625	.625	.6	—	1.5	17.63	—	30.00
MST® 30mm (1.18in.) Wide Belts (8M-30)																
28	P288M30-H	H	2.807	2.753	3.156	• EF-1	1.25	0.625	1.2500	0.3750	—	—	1.5	1.57	1.250	1.70
30	P308M30-H	H	3.008	2.954	3.344	• EF-1	1.38	0.625	1.25	.375	—	—	1.5	1.57	1.25	1.90
32	P328M30-H	H	3.208	3.154	3.562	BF-1	1.375	0.25	1.25	—	.625	—	1.5	2.56	1.25	2.10
Taper Bushed 30mm (1.18in.) Wide Belts (8M-30)																
24	P248M30-1108	1108	2.406	2.352	2.75	KF-1	1	0.125	0.875	.5	—	—	1.5	1.783	1.250	.9
26	P268M30-1108	1108	2.607	2.553	2.94	KF-1	1	0.125	0.875	.5	—	—	1.5	1.971	1.250	1.2
28	P288M30-1108	1108	2.807	2.753	3.16	KF-1	1	0.125	0.875	.5	—	—	1.5	2	1.250	1.6
30	P308M30-1210	1210	3.008	2.954	3.34	KF-1	1.25	0.125	1	0.4	—	—	1.5	2.345	1.25	1.5
32	P328M30-1210	1210	3.208	3.154	3.56	KF-1	1.25	0.125	1	0.4	—	—	1.5	2.56	1.25	1.9
34	P348M30-1610	1610	3.409	3.355	3.75	KF-1	1.6875	0.125	1	0.4	—	—	1.5	3	1.25	2.3
36	P368M30-1610	1610	3.609	3.555	3.94	KF-1	1.69	0.125	1	0.375	—	—	1.5	2.82	1.25	2.2
38	P388M30-1610	1610	3.810	3.756	4.16	KF-1	1.69	0.125	1	0.375	—	—	1.5	3	1.25	2.7
40	P408M30-2012	2012	4.010	3.956	4.34	KF-1	2.125	—	1	0.25	—	—	1.5	3.25	1.25	2.4
44	P448M30-2012	2012	4.411	4.357	4.75	KF-1	2.125	—	1	—	0.25	—	1.5	3.5	1.25	3.4
48	P488M30-2012	2012	4.812	4.758	5.16	KF-1	2.125	—	1	—	0.25	—	1.5	4	1.25	4.5
56	P568M30-2012	2012	5.614	5.560	5.94	KF-1	2.125	—	1.25	—	0.25	—	1.5	4.6	1.25	7.0
64	P648M30-2517	2517	6.416	6.362	6.75	CF-1	2.6875	—	1.75	—	0.25	4.875	1.5	—	1.25	8.9
72	P728M30-2517	2517	7.218	7.164	7.56	CF-1	2.6875	—	1.75	—	0.25	4.875	1.5	—	1.25	12.1
80	P808M30-2517	2517	8.020	7.966	8.38	CF-2	2.6875	—	1.75	—	0.25	4.875	1.5	—	1.25	15.8
90	P908M30-2517	2517	9.023	8.969	—	C-2	2.6875	0.125	1.75	—	0.125	4.875	1.5	7.63	—	13.8
112	P1128M30-2517	2517	11.229	11.175	—	C-3	2.6875	0.125	1.75	—	0.125	4.875	1.5	9.88	—	23.5
144	P1448M30-2517	2517	14.437	14.383	—	C-3	2.6875	0.25	1.75	—	—	4.875	1.5	12.88	—	21.3

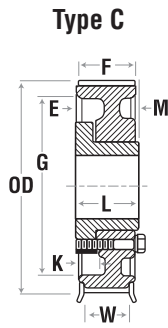
* Weight Shown is for Sprocket Less Bushing.
• Reverse Mount Only

+ The numbers (1=Solid, 2=Web, 3=Arms) within the "Type" indicates construction, and the letter F indicates the sprocket has flanges.



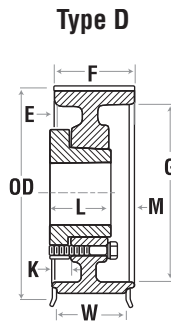
Type A

Type AF



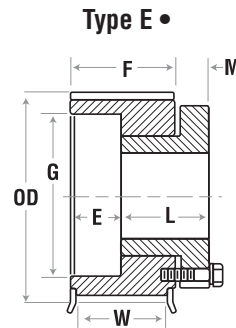
Type C

Type CF



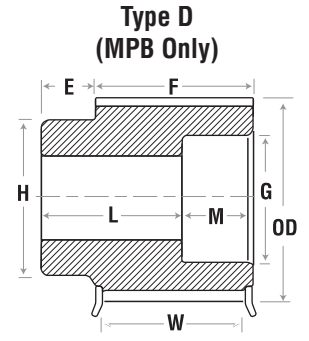
Type D

Type DF



Type E •

Type EF •



Type D
(MPB Only)

Type DF
(MPB Only)

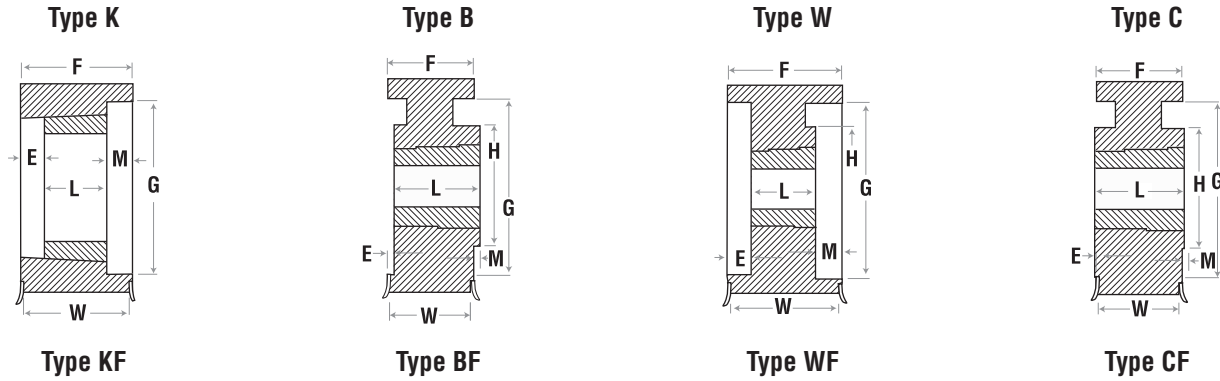
No. of Teeth	Catalog Number	Bore	Pitch	Diameter		Type +	Max Bore	Dimensions								Weight Approx. (lbs.)
				O.D.	Flange			E	L	M	K	H	F	G	W	
MPB 50mm (1.97 in.) Wide Belts (8M-50)																
28	P288M50-MPB	0.5	2.807	2.753	3.156	DF-1	1.25	0.75	3.125	—	—	0.9062	2.375	—	2.125	4.2
30	P308M50-MPB	0.5	3.008	2.954	3.344	DF-1	1.25	0.75	3.125	—	—	2.4687	2.375	—	2.125	4.9
32	P328M50-MPB	0.5	3.208	3.154	3.562	DF-1	1.625	0.75	3.125	—	—	2.5937	2.375	—	2.125	5.4
QD 50mm (1.97 in.) Wide Belts (8M-50)																
34	P348M50-SH	SH	3.409	3.355	3.750	AF-1	1.6875	—	1.25	1.125	0.5	—	2.375	2.75	2.125	3.2
36	P368M50-SH	SH	3.609	3.555	3.937	AF-1	1.6875	—	1.25	1.125	0.5	—	2.375	2.82	2.125	3.8
38	P388M50-SH	SH	3.810	3.756	4.156	AF-1	1.6875	—	1.25	1.125	0.5	—	2.375	3.00	2.125	4.2
40	P408M50-SH	SH	4.010	3.956	4.344	AF-1	1.6875	—	1.25	1.125	0.5	—	2.375	3.00	2.125	4.6
44	P448M50-SD	SD	4.411	4.357	4.750	AF-1	2	—	1.8125	0.5625	0.5625	—	2.375	3.50	2.125	5.2
48	P488M50-SD	SD	4.812	4.758	5.157	AF-1	2	—	1.8125	0.5625	0.5625	—	2.375	3.80	2.125	6.0
56	P568M50-SK	SK	5.614	5.560	5.937	DF-1	2.625	0.0625	1.875	0.5625	0.5625	—	2.375	4.60	2.125	7.6
64	P648M50-SK	SK	6.416	6.362	6.750	DF-1	2.625	0.0625	1.875	0.5625	0.5625	—	2.375	5.40	2.125	10.3
72	P728M50-SK	SK	7.218	7.164	7.562	DF-1	2.625	0.0625	1.875	0.5625	0.5625	—	2.375	6.20	2.125	13.3
80	P808M50-SF	SF	8.020	7.966	8.326	DF-1	2.875	0.0625	2	0.4375	0.5625	—	2.375	6.90	2.125	12.7
90	P908M50-SF	SF	9.023	8.969	—	D-2	2.875	0.0625	2	0.4375	0.5625	—	2.375	7.62	2.125	16.0
112	P1128M50-SF	SF	11.229	11.175	—	D-3	2.875	0.0625	2	0.4375	0.5625	—	2.375	9.88	2.125	21.0
144	P1448M50-E	E	14.437	14.383	—	D-3	3.5	0.5	2.625	2	0.375	—	2.375	12.88	2.125	35.0
192	P1928M50-E	E	19.249	19.195	—	D-3	3.5	0.5	2.625	2	0.375	—	2.375	17.63	2.125	45.0
144	P1448M30-SF	SF	14.447	14.383	—	C-3	2.938	0.563	2.063	—	.25	—	1.5	12.88	—	25.50
192	P1928M30-E	E	19.249	19.195	—	C-3	—	1.3125	2.625	.625	.6	—	1.5	17.63	—	30.00
MST® 50mm (1.97 in.) Wide Belts (8M-50)																
32	P328M50-H	H	3.208	3.154	3.562	AF-1	1.375	0.5	1.25	0.625	0.75	—	2.375	2.56	2.125	2.9
Taper Bushed 50mm (1.97 in.) Wide Belts (8M-50)																
28	P288M50-1108	1108	2.807	2.753	3.16	KF-1	1	—	0.875	1.5	—	—	2.375	2.000	2.125	2.1
30	P308M50-1210	1210	3.008	2.954	3.34	KF-1	1.25	—	1	1.375	—	—	2.375	2.345	2.125	2.2
32	P328M50-1210	1210	3.208	3.154	3.56	KF-1	1.25	—	1	1.375	—	—	2.375	2.560	2.125	2.1
34	P348M50-1610	1610	3.409	3.355	3.75	KF-1	1.6875	—	1	1.375	—	—	2.375	2.750	2.125	2.1
36	P368M50-1610	1610	3.609	3.555	3.94	KF-1	1.6875	—	1	1.375	—	—	2.375	2.820	2.125	2.7
38	P388M50-1610	1610	3.810	3.756	4.16	KF-1	1.6875	—	1	1.375	—	—	2.375	3.000	2.125	3.1
40	P408M50-2012	2012	4.010	3.956	4.34	KF-1	2.125	—	1.25	1.125	—	—	2.375	3.250	2.125	3.4
44	P448M50-2012	2012	4.411	4.357	4.75	KF-1	2.125	—	1.25	1.125	—	—	2.375	3.500	2.125	4.3
48	P488M50-2012	2012	4.812	4.758	5.16	KF-1	2.125	—	1.25	1.125	—	—	2.375	3.800	2.125	5.5
56	P568M50-2517	2517	5.614	5.560	5.94	KF-1	2.6875	—	1.75	0.625	—	—	2.375	4.600	2.125	8.1
64	P648M50-2517	2517	6.416	6.362	6.75	KF-1	2.6875	—	1.75	0.625	—	—	2.375	5.400	2.125	11.7
72	P728M50-2517	2517	7.218	7.164	7.56	KF-1	2.6875	—	1.75	0.625	—	—	2.375	6.200	2.125	15.7
80	P808M50-2517	2517	8.020	7.966	8.38	KF-1	2.6875	—	1.75	0.625	—	—	2.375	6.900	2.125	20.3
90	P908M50-3020	3020	9.023	8.969	—	W-1	3.25	—	2	0.375	—	—	2.375	7.630	2.125	31.7
112	P1128M50-3020	3020	11.229	11.175	—	W-3	3.25	—	2	0.375	—	6.25	2.375	9.880	2.125	34.7
144	P1448M50-3020	3020	14.437	14.383	—	W-3	3.25	—	2	0.375	—	7.5	2.375	12.880	2.125	36.0
192	P1928M50-3020	3020	19.249	19.195	—	W-3	3.25	—	2	0.375	—	7.5	2.375	17.630	2.125	67.2

* Weight Shown is for Sprocket Less Bushing.
• Reverse Mount Only

+ The numbers (1=Solid, 2=Web, 3=Arms) within the "Type" indicates construction, and the letter F indicates the sprocket has flanges.

High Torque Sprockets

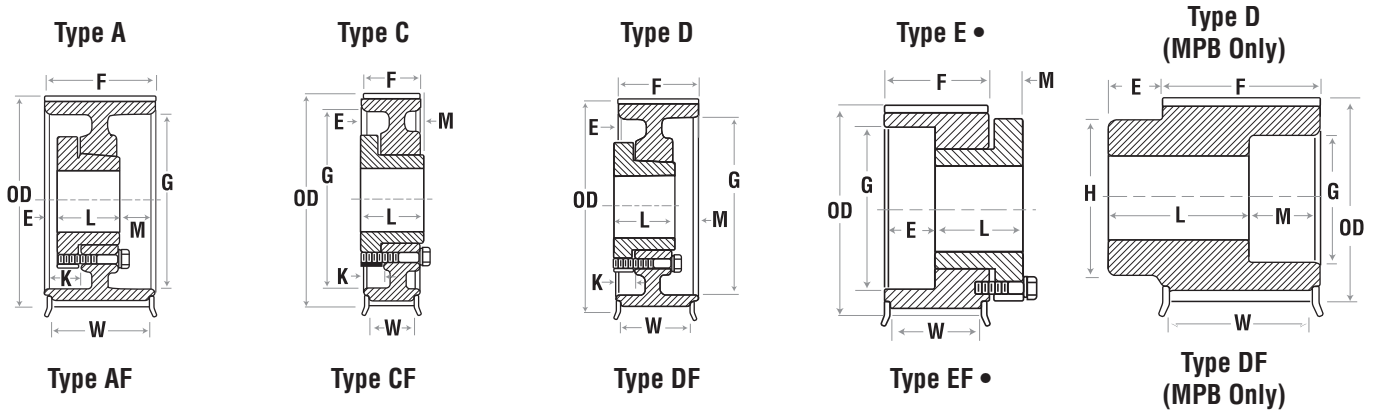
8mm



No. of Teeth	Catalog Number	Bore	Pitch	Diameter		Type +	Max Bore	Dimensions							Weight Approx. (lbs.)	
				O.D.	Flange			E	L	M	K	H	F	G		W
MPB 85mm (3.35 in.) Wide Belts (8M-85)																
34	P348M85-MPB	0.75	3.409	3.355	3.750	DF-1	1.6875	0.75	4.5	—	—	2.7968	3.75	—	3.5	10.00
36	P368M85-MPB	0.75	3.609	3.555	3.937	DF-1	1.75	0.75	4.5	—	—	3	3.75	—	3.5	11.30
38	P388M85-MPB	0.75	3.810	3.756	4.156	DF-1	1.9375	0.75	4.5	—	—	3.1875	3.75	—	3.5	12.60
40	P408M85-MPB	0.75	4.010	3.956	4.344	DF-1	2.125	0.75	4.5	—	—	3.4062	3.75	—	3.5	14.90
44	P448M85-MPB	0.75	4.411	4.357	4.750	DF-1	2.25	0.75	4.5	—	—	3.7968	3.75	—	3.5	17.20
48	P488M85-MPB	0.75	4.812	4.758	5.157	DF-1	2.5	0.75	4.5	—	—	4.1875	3.75	—	3.5	20.60
56	P568M85-MPB	0.875	5.614	5.560	5.937	DF-1	3	0.75	4.5	—	—	5	3.75	—	3.5	28.00
QD 85mm (3.35 in.) Wide Belts (8M-85)																
34	P348M85-SH	SH	3.409	3.355	3.819	AF-1	1.6875	1	1.25	1.5	1.5	—	3.75	2.75	3.5	4.6
36	P368M85-SH	SH	3.609	3.555	3.937	AF-1	1.6875	1	1.25	1.5	1.5	—	3.75	2.82	3.5	5.2
38	P388M85-SH	SH	3.810	3.756	4.134	AF-1	1.6875	1	1.25	1.5	1.5	—	3.75	3.00	3.5	5.8
40	P408M85-SD	SD	4.010	3.956	4.344	AF-1	2	0.6875	1.8125	1.25	1.25	—	3.75	3.25	3.5	5.6
44	P448M85-SD	SD	4.411	4.357	4.750	AF-1	2	0.6875	1.8125	1.25	1.25	—	3.75	3.50	3.5	6.2
48	P488M85-SD	SD	4.812	4.758	5.157	AF-1	2	0.6875	1.8125	1.25	1.25	—	3.75	3.80	3.5	7.8
56	P568M85-SK	SK	5.614	5.560	5.937	AF-1	2.625	0.625	1.875	1.25	1.25	—	3.75	4.60	3.5	9.8
64	P648M85-SF	SF	6.416	6.362	6.750	AF-1	2.625	0.625	1.875	1.25	1.25	—	3.75	5.40	3.5	13.0
72	P728M85-E	E	7.218	7.164	7.562	AF-1	2.9375	0.625	2	1.125	1.25	—	3.75	6.20	3.5	16.0
80	P808M85-E	E	8.020	7.966	8.375	AF-1	2.9375	0.625	2	1.125	1.25	—	3.75	6.90	3.5	17.0
90	P908M85-E	E	9.023	8.969	—	A-2	2.9375	0.625	2	1.125	1.25	—	3.75	7.62	—	20.0
112	P1128M85-F	F	11.229	11.175	—	A-3	2.9375	0.625	2	1.125	1.25	—	3.75	9.88	—	28.0
144	P1448M85-F	F	14.447	14.383	—	A-3	4	0.375	3.625	14	0.25	—	3.75	12.88	3.5	79.0
192	P1928M85-F	F	19.249	19.195	—	A-3	4	0.375	3.625	0.5	0.625	—	3.75	17.65	3.5	101.4
Taper Bushed 85mm (3.35 in.) Wide Belts (8M-85)																
34	P348M85-1615	1615	3.409	3.355	3.75	WF-1	1.6875	0.75	1.5	1.5	—	—	3.75	2.750	3.5	3.3
36	P368M85-1615	1615	3.609	3.555	3.94	WF-1	1.6875	0.75	1.5	1.5	—	—	3.75	2.820	3.5	4.2
38	P388M85-1615	1615	3.810	3.756	4.16	WF-1	1.6875	0.75	1.5	1.5	—	—	3.75	3.000	3.5	4.7
40	P408M85-2012	2012	4.010	3.956	4.34	WF-1	2.125	1.25	1.25	1.25	—	—	3.75	3.250	3.5	4.7
44	P448M85-2012	2012	4.411	4.357	4.75	WF-1	2.125	1.25	1.25	1.25	—	—	3.75	3.500	3.5	6.4
48	P488M85-2012	2012	4.812	4.758	5.16	WF-1	2.125	1.25	1.25	1.25	—	—	3.75	3.800	3.5	8.0
56	P568M85-2517	2517	5.614	5.560	5.94	WF-1	2.6875	1	1.75	1	—	—	3.75	4.500	3.5	11.0
64	P648M85-2517	2517	6.416	6.362	6.75	WF-1	2.6875	1	1.75	1	—	—	3.75	5.400	3.5	15.0
72	P728M85-3020	3020	7.218	7.164	7.56	WF-1	3.25	0.875	2	0.875	—	—	3.75	6.200	3.5	18.2
80	P808M85-3020	3020	8.020	7.966	8.38	WF-1	3.25	0.875	2	0.875	—	—	3.75	6.900	3.5	24.2
90	P908M85-3020	3020	9.023	8.969	—	W-1	3.25	0.875	2	0.875	—	—	3.75	7.630	—	31.9
112	P1128M85-3020	3020	11.229	11.175	—	W-3	3.25	0.875	2	0.875	—	6.25	3.75	9.880	—	34.6
144	P1448M85-3535	3535	14.437	14.383	—	W-3	3.9375	0.125	3.5	0.125	—	7	3.75	12.880	—	49.6
192	P1928M85-3535	3535	19.249	19.195	—	W-3	3.9375	0.125	3.5	0.125	—	7	3.75	17.630	—	81.4

* Weight Shown is for Sprocket Less Bushing.
• Reverse Mount Only

+ The numbers (1=Solid, 2=Web, 3=Arms) within the "Type" indicates construction, and the letter F indicates the sprocket has flanges.



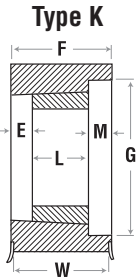
No. of Teeth	Catalog Number	Bore	Pitch	Diameter		Type +	Max Bore	Dimensions							Weight Approx. (lbs.)	
				O.D.	Flange			E	L	M	K	H	F	G		W
QD 40mm (1.570 in.) Wide Belts (140M-40)																
28	P2814M40-SK	SK	4.912	4.802	5.56	• EF-1	2.625	0.875	1.875	0.625	—	—	2.125	3.13	1.8125	5.5
29	P2914M40-SK	SK	5.088	4.978	5.56	• EF-1	2.625	0.875	1.875	0.625	—	—	2.125	3.13	1.8125	6.5
30	P3014M40-SK	SK	5.263	5.153	6.13	DF-1	2.625	0.1875	1.875	0.4375	—	—	2.125	3.92	1.8125	6.0
32	P3214M40-SK	SK	5.614	5.504	6.13	DF-1	2.625	0.1875	1.875	0.4375	0.4375	—	2.125	3.92	1.8125	8.0
34	P3414M40-SK	SK	5.965	5.855	6.50	DF-1	2.625	0.1875	1.875	0.4375	0.4375	—	2.125	4.06	1.8125	8.5
36	P3614M40-SF	SF	6.316	6.206	6.81	DF-1	2.875	0.1875	2	0.3125	0.4375	—	2.125	4.69	1.8125	9.5
38	P3814M40-SF	SF	6.667	6.557	7.16	DF-1	2.875	0.1875	2	0.3125	0.4375	—	2.125	4.94	1.8125	11.5
40	P4014M40-SF	SF	7.018	6.909	7.50	DF-1	2.875	0.1875	2	0.3125	0.4375	—	2.125	5.06	1.8125	13.0
44	P4414M40-E	E	7.720	7.610	8.22	DF-1	3.5	0.625	2.625	0.125	0.25	—	2.125	6.12	1.8125	16.5
48	P4814M40-E	E	8.421	8.311	8.94	DF-1	3.5	0.625	2.625	0.125	0.25	—	2.125	6.50	1.8125	20.0
52	P5214M40-E	E	9.123	9.013	9.69	DF-1	3.5	0.625	2.625	0.125	0.25	—	2.125	7.18	1.8125	24.0
56	P5614M40-E	E	9.825	9.715	10.38	DF-1	3.5	0.625	2.625	0.125	0.25	—	2.125	7.88	1.8125	28.0
60	P6014M40-E	E	10.527	10.417	11.06	DF-1	3.5	0.625	2.625	0.125	0.25	—	2.125	8.50	1.8125	32.0
64	P6414M40-E	E	11.229	11.119	11.75	DF-2	3.5	0.625	2.625	0.125	0.25	—	2.125	9.25	1.8125	29.0
68	P6814M40-E	E	11.930	11.820	12.50	DF-2	3.5	0.625	2.625	0.125	0.25	—	2.125	10.00	1.8125	31.0
72	P7214M40-E	E	12.632	12.522	13.19	DF-2	3.5	0.625	2.625	0.125	0.25	—	2.125	10.69	1.8125	33.0
80	P8014M40-E	E	14.036	13.926	14.63	DF-2	3.5	0.625	2.625	0.125	0.25	—	2.125	12.13	1.8125	38.0
90	P9014M40-E	E	15.790	15.680	—	D-3	3.5	0.625	2.625	0.125	0.25	—	2.125	14.00	—	39.0
112	P11214M40-E	E	19.650	19.540	—	D-3	3.5	0.625	2.625	0.125	0.25	—	2.125	17.80	—	51.0
144	P14414M40-E	E	25.264	25.154	—	D-3	3.5	0.625	2.625	0.125	0.25	—	2.125	23.38	—	80.0
Taper Bushed 40mm (1.570 in.) Wide Belts (140M-40)																
28	P2814M40-2012	2012	4.912	4.802	5.56	KF-1	2.125	—	1.25	0.875	—	—	2.125	3.375	1.8125	3.5
29	P2914M40-2012	2012	5.088	4.978	5.56	KF-1	2.125	—	1.25	0.875	—	—	2.125	3.375	1.8125	3.9
30	P3014M40-2012	2012	5.263	5.153	6.13	KF-1	2.125	—	1.25	0.875	—	—	2.125	3.928	1.8125	6.4
32	P3214M40-2012	2012	5.614	5.504	6.13	KF-1	2.125	—	1.25	0.875	—	—	2.125	3.928	1.8125	8.0
34	P3414M40-2012	2012	5.965	5.855	6.50	KF-1	2.125	—	1.25	0.875	—	—	2.125	4.063	1.8125	9.4
36	P3614M40-2517	2517	6.316	6.206	6.81	KF-1	2.6875	—	1.75	0.375	—	—	2.125	4.688	1.8125	10.5
38	P3814M40-2517	2517	6.667	6.557	7.16	KF-1	2.6875	—	1.75	0.375	—	—	2.125	4.813	1.8125	12.2
40	P4014M40-2517	2517	7.018	6.908	7.50	KF-1	2.6875	—	1.75	0.375	—	—	2.125	5.188	1.8125	14.2
44	P4414M40-2517	2517	7.720	7.610	8.22	KF-1	2.6875	—	1.75	0.375	—	—	2.125	6.125	1.8125	17.6
48	P4814M40-2517	2517	8.421	8.311	8.94	KF-1	2.6875	—	1.75	0.375	—	—	2.125	6.500	1.8125	22.0
52	P5214M40-2517	2517	9.123	9.013	9.69	KF-1	2.6875	—	1.75	0.375	—	—	2.125	7.188	1.8125	26.5
56	P5614M40-2517	2517	9.825	9.715	10.38	WF-2	2.6875	—	1.75	0.375	4.875	—	2.125	7.875	1.8125	21.5
60	P6014M40-3020	3020	10.527	10.417	11.06	WF-2	3.25	—	2	0.125	6.25	—	2.125	8.500	1.8125	33.7
64	P6414M40-3020	3020	11.229	11.119	11.75	WF-2	3.25	—	2	0.125	6.25	—	2.125	9.250	1.8125	36.5
68	P6814M40-3020	3020	11.930	11.820	12.50	WF-2	3.25	—	2	0.125	6.25	—	2.125	10.000	1.8125	39.3
72	P7214M40-3020	3020	12.632	12.522	13.19	WF-2	3.25	—	2	0.125	6.25	—	2.125	10.688	1.8125	42.6
80	P8014M40-3020	3020	14.036	13.926	14.63	WF-3	3.25	—	2	0.125	6.25	—	2.125	12.125	1.8125	38.8
90	P9014M40-3020	3020	15.790	15.680	—	W-3	3.25	—	2	0.125	6.25	—	2.125	13.563	—	44.5
112	P11214M40-3020	3020	19.650	19.540	—	W-3	3.25	—	2	0.125	6.25	—	2.125	17.375	—	64.9
144	P14414M40-3020	3020	25.264	25.154	—	W-3	3.25	—	2	0.125	6.25	—	2.125	23.000	—	97.4

* Weight Shown is for Sprocket Less Bushing.
• Reverse Mount Only

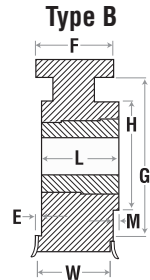
+ The numbers (1=Solid, 2=Web, 3=Arms) within the "Type" indicates construction, and the letter F indicates the sprocket has flanges.

High Torque Sprockets

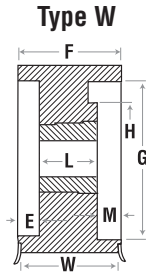
14mm



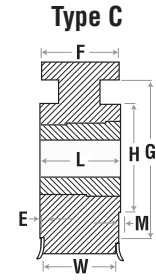
Type KF



Type BF



Type WF

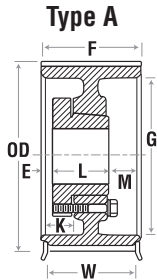


Type CF

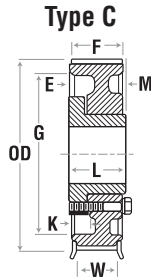
No. of Teeth	Catalog Number	Bore	Pitch	Diameter		Type +	Max Bore	Dimensions							Weight Approx (lbs.)	
				O.D.	Flange			E	L	M	K	H	F	G		W
QD 55mm (2.17 in.) Wide Belts (14M-55)																
28	P2814M55-SK	SK	4.912	4.808	5.56	•EF-1	2.625	1.5	1.875	0.625	—	—	2.75	3.13	2.4375	7.0
29	P2914M55-SK	SK	5.088	4.983	5.56	•EF-1	2.625	1.5	1.875	0.625	—	—	2.75	3.13	2.4375	8.0
30	P3014M55-SK	SK	5.263	5.157	6.13	AF-1	2.625	0.125	1.875	0.75	0.75	—	2.75	3.92	2.4375	7.5
32	P3214M55-SK	SK	5.614	5.507	6.13	AF-1	2.625	0.125	1.875	0.75	0.75	—	2.75	3.92	2.4375	9.0
34	P3414M55-SK	SK	5.965	5.858	6.50	AF-1	2.625	0.125	1.875	0.75	0.75	—	2.75	4.06	2.4375	10.0
36	P3614M55-SF	SF	6.316	6.208	6.81	AF-1	2.875	0.125	2	0.625	0.75	—	2.75	4.69	2.4375	11.0
38	P3814M55-SF	SF	6.667	6.559	7.16	AF-1	2.875	0.125	2	0.625	0.75	—	2.75	4.94	2.4375	13.0
40	P4014M55-SF	SF	7.018	6.909	7.50	AF-1	2.875	0.125	2	0.625	0.75	—	2.75	5.06	2.4375	15.0
44	P4414M55-E	E	7.720	7.610	8.22	DF-1	3.5	0.3125	2.625	0.4375	0.5625	—	2.75	6.12	2.4375	19.0
48	P4814M55-E	E	8.421	8.311	8.94	DF-1	3.5	0.3125	2.625	0.4375	0.5625	—	2.75	6.50	2.4375	23.0
52	P5214M55-E	E	9.123	9.013	9.69	DF-1	3.5	0.3125	2.625	0.4375	0.5625	—	2.75	7.18	2.4375	27.0
56	P5614M55-E	E	9.825	9.715	10.38	DF-1	3.5	0.3125	2.625	0.4375	0.5625	—	2.75	7.88	2.4375	32.0
60	P6014M55-E	E	10.527	10.417	11.06	DF-1	3.5	0.3125	2.625	0.4375	0.5625	—	2.75	8.50	2.4375	36.0
64	P6414M55-F	F	11.229	11.119	11.75	CF-1	4	0.875	3.625	—	0.125	—	2.75	9.25	2.4375	53.0
68	P6814M55-F	F	11.930	11.820	12.50	DF-2	4	0.875	3.625	—	0.125	—	2.75	10.00	2.4375	43.0
72	P7214M55-F	F	12.632	12.522	13.19	CF-2	4	0.875	3.625	—	0.125	—	2.75	10.69	2.4375	49.0
80	P8014M55-F	F	14.036	13.926	14.63	CF-2	4	0.875	3.625	—	0.125	—	2.75	12.13	2.4375	54.0
90	P9014M55-F	F	15.790	15.680	—	C-3	4	0.875	3.625	—	0.125	—	2.75	14.00	—	55.0
112	P11214M55-F	F	19.650	19.540	—	C-3	4	0.875	3.625	—	0.125	—	2.75	17.88	—	71.0
144	P14414M55-F	F	25.264	25.154	—	C-3	4	0.875	3.625	—	0.125	—	2.75	23.38	—	106.0
168	P16814M55-F	F	29.475	29.365	—	C-3	4	0.875	3.625	—	0.125	—	2.75	27.56	—	124.0
192	P19214M55-F	F	33.686	33.576	—	C-3	4	0.875	3.625	—	0.125	—	2.75	31.81	—	146.0
216	P21614M55-F	F	37.896	37.786	—	C-3	4	0.875	3.625	—	0.125	—	2.75	35.75	—	205.0
Taper Bushed 55mm (2.17 in.) Wide Belts (14M-55)																
28	P2814M55-2012	2012	4.912	4.802	5.56	KF-1	2.125	—	1.25	1.5	—	—	2.75	3.375	2.4375	7.4
29	P2914M55-2012	2012	5.088	4.978	5.56	KF-1	2.125	—	1.25	1.5	—	—	2.75	3.375	2.4375	8.4
30	P3014M55-2517	2517	5.263	5.153	6.13	KF-1	2.6875	—	1.75	1	—	—	2.75	3.928	2.4375	7.2
32	P3214M55-2517	2517	5.614	5.504	6.13	KF-1	2.6875	—	1.75	1	—	—	2.75	3.928	2.4375	9.3
34	P3414M55-2517	2517	5.965	5.855	6.50	KF-1	2.6875	—	1.75	1	—	—	2.75	4.063	2.4375	11.2
36	P3614M55-2517	2517	6.316	6.206	6.81	KF-1	2.6875	—	1.75	1	—	—	2.75	4.688	2.4375	12.4
38	P3814M55-2517	2517	6.667	6.557	7.16	KF-1	2.6875	—	1.75	1	—	—	2.75	4.813	2.4375	14.4
40	P4014M55-2517	2517	7.018	6.908	7.50	KF-1	2.6875	—	1.75	1	—	—	2.75	5.188	2.4375	16.7
44	P4414M55-2517	2517	7.720	7.610	8.22	KF-1	2.6875	—	1.75	1	—	—	2.75	6.125	2.4375	19.9
48	P4814M55-3020	3020	8.421	8.311	8.94	KF-1	3.25	—	2	0.75	—	—	2.75	6.500	2.4375	29.2
52	P5214M55-3020	3020	9.123	9.013	9.69	KF-1	3.25	—	2	0.75	—	—	2.75	7.188	2.4375	34.5
56	P5614M55-3020	3020	9.825	9.715	10.38	KF-1	3.25	—	2	0.75	—	—	2.75	7.875	2.4375	40.1
60	P6014M55-3020	3020	10.527	10.417	11.06	WF-2	3.25	—	2	0.75	—	6.25	2.75	8.500	2.4375	46.4
64	P6414M55-3020	3020	11.229	11.119	11.75	WF-2	3.25	—	2	0.75	—	6.25	2.75	9.250	2.4375	52.7
68	P6814M55-3020	3020	11.930	11.820	12.50	WF-2	3.25	—	2	0.75	—	6.25	2.75	10.000	2.4375	45.5
72	P7214M55-3020	3020	12.632	12.522	13.19	WF-2	3.25	—	2	0.75	—	6.25	2.75	10.688	2.4375	49.5
80	P8014M55-3020	3020	14.036	13.926	14.63	WF-3	3.25	—	2	0.75	—	6.25	2.75	12.125	2.4375	45.2
90	P9014M55-3020	3020	15.790	15.680	—	W-3	3.25	—	2	0.75	—	6.25	2.75	13.563	—	46.1
112	P11214M55-3020	3020	19.650	19.540	—	W-3	3.25	—	2	0.75	—	6.25	2.75	17.375	—	69.8
144	P14414M55-3020	3020	25.264	25.154	—	W-3	3.25	—	2	0.75	—	6.25	2.75	23.000	—	104.4
192	P19214M55-3535	3535	33.686	33.576	—	C-3	3.9375	0.38	3.5	0.375	—	7	2.75	31.375	—	104.2

* Weight Shown is for Sprocket Less Bushing.
• Reverse Mount Only

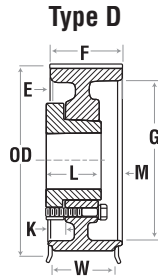
+ The numbers (1=Solid, 2=Web, 3=Arms) within the "Type" indicates construction, and the letter F indicates the sprocket has flanges.



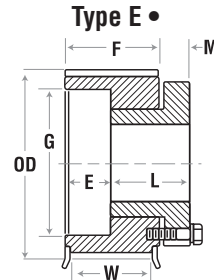
Type AF



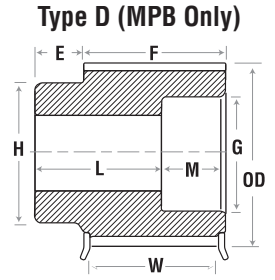
Type CF



Type DF



Type EF •



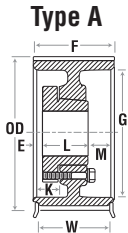
Type DF (MPB Only)

No. of Teeth	Catalog Number	Bore	Pitch	Diameter		Type +	Max Bore	Dimensions								Weight Approx (lbs.)
				O.D.	Flange			E	L	M	K	H	F	G	W	
MPB 85mm (3.35in.) Wide Belts (14M-85)																
28	P2814M85-MPB	1.25	4.912	4.802	5.56	DF-1	2.3125	1	4	1	—	3.6875	4	3.13	3.6875	18.0
29	P2914M85-MPB	1.25	5.088	4.983	5.56	DF-1	2.3125	1	4	1	—	3.6875	4	3.13	3.6875	19.4
30	P3014M85-MPB	1.25	5.263	5.157	6.13	DF-1	2.5	1	4	1	—	0.7656	4	3.72	3.6875	20.6
32	P3214M85-MPB	1.25	5.614	5.507	6.13	DF-1	2.5	1	4	1	—	0.7656	4	3.72	3.6875	23.4
34	P3414M85-MPB	1.25	5.965	5.858	6.50	DF-1	2.6875	1	4	1	—	4.4843	4	4.06	3.6875	27.4
QD 85mm (3.35in.) Wide Belts (14M-85)																
30	P3014M85-SK	SK	5.293	5.157	6.13	AF-1	2.625	0.75	1.875	1.375	1.375	—	4	3.92	3.6875	10.0
32	P3214M85-SK	SK	5.614	5.507	6.13	AF-1	2.875	0.75	1.875	1.375	1.375	—	4	3.92	3.6875	13.0
34	P3414M85-SK	SK	5.965	5.853	6.13	AF-1	2.875	0.75	1.875	1.375	1.375	—	4	4.06	3.6875	14.0
36	P3614M85-SF	SF	6.316	6.206	6.81	AF-1	2.875	0.75	2	1.25	1.375	—	4	4.69	3.6875	15.0
38	P3814M85-SF	SF	6.667	6.557	7.16	AF-1	2.875	0.75	2	1.25	1.375	—	4	4.94	3.6875	18.0
40	P4014M85-SF	SF	7.018	6.909	7.50	AF-1	2.875	0.75	2	1.25	1.375	—	4	5.06	3.6875	20.0
44	P4414M85-E	E	7.720	7.610	8.22	AF-1	3.5	0.3125	2.625	0.6875	0.8125	—	4	6.12	3.6875	25.0
48	P4814M85-E	E	8.421	8.311	8.94	AF-1	3.5	0.3125	2.625	0.6875	0.8125	—	4	6.50	3.6875	29.0
52	P5214M85-E	E	9.123	9.013	9.69	AF-1	3.5	0.3125	2.625	0.6875	0.8125	—	4	7.18	3.6875	32.0
56	P5614M85-F	F	9.825	9.715	10.38	DF-1	4	0.25	3.625	0.625	0.75	—	4	7.88	3.6875	46.0
60	P6014M85-F	F	10.527	10.417	11.06	DF-1	4	0.25	3.625	0.625	0.75	—	4	8.50	3.6875	51.0
64	P6414M85-F	F	11.229	11.119	11.75	DF-1	4	0.25	3.625	0.625	0.75	—	4	9.25	3.6875	62.0
68	P6814M85-F	F	11.930	11.820	12.50	DF-2	4	0.25	3.625	0.625	0.75	—	4	10.00	3.6875	51.0
72	P7214M85-F	F	12.632	12.522	13.19	DF-2	4	0.25	3.625	0.625	0.75	—	4	10.69	3.6875	60.0
80	P8014M85-F	F	14.036	13.926	14.63	DF-2	4	0.25	3.625	0.625	0.75	—	4	12.13	3.6875	66.0
90	P9014M85-F	F	15.790	15.680	—	D-3	4	0.25	3.625	0.625	0.75	—	4	14.00	—	69.0
112	P11214M85-F	F	19.650	19.540	—	D-3	4	0.25	3.625	0.625	0.75	—	4	17.88	—	89.0
144	P14414M85-F	F	25.264	25.154	—	D-3	4	0.25	3.625	0.625	0.75	—	4	23.38	—	127.0
168	P16814M85-J	J	29.475	29.365	—	D-3	4.5	0.25	3.625	0.625	0.75	—	4	27.56	—	148.0
192	P19214M85-J	J	33.686	33.576	—	D-3	4.5	0.25	3.625	0.625	0.75	—	4	31.81	—	177.0
216	P21614M85-J	J	37.896	37.786	—	D-3	4.5	0.25	3.625	0.625	0.75	—	4	35.75	—	251.0
Taper Bushed 85mm (3.35in.) Wide Belts (14M-85)																
30	P3014M85-2517	2517	5.263	5.153	6.13	WF-1	2.5	0.5	1.75	1.75	—	—	4	3.928	3.6875	9.7
32	P3214M85-2517	2517	5.614	5.504	6.13	WF-1	2.6875	0.875	1.75	1.375	—	—	4	3.928	3.6875	12.7
34	P3414M85-2517	2517	5.965	5.855	6.50	WF-1	2.6875	0.875	1.75	1.375	—	—	4	4.063	3.6875	15.3
36	P3614M85-3020	3020	6.316	6.206	6.81	WF-1	3.25	0.5312	2	1.4687	—	—	4	4.688	3.6875	19.3
38	P3814M85-3020	3020	6.667	6.557	7.16	WF-1	3.25	0.5312	2	1.4687	—	—	4	4.813	3.6875	21.9
40	P4014M85-3020	3020	7.018	6.908	7.50	WF-1	3.25	0.5312	2	1.4687	—	—	4	5.063	3.6875	25.1
44	P4414M85-3020	3020	7.720	7.610	8.22	WF-1	3.25	0.5312	2	1.4687	—	—	4	6.125	3.6875	28.4
48	P4814M85-3020	3020	8.421	8.311	8.94	WF-1	3.25	0.5312	2	1.4687	—	—	4	6.500	3.6875	35.4
52	P5214M85-3535	3535	9.123	9.013	9.69	KF-1	3.9375	—	3.5	0.5	—	—	4	7.188	3.6875	42.9
56	P5614M85-3535	3535	9.825	9.715	10.38	KF-1	3.9375	—	3.5	0.5	—	—	4	7.875	3.6875	52.4
60	P6014M85-3535	3535	10.527	10.417	11.06	KF-1	3.9375	—	3.5	0.5	—	—	4	8.500	3.6875	62.7
64	P6414M85-3535	3535	11.229	11.119	11.75	KF-1	3.9375	—	3.5	0.5	—	—	4	9.250	3.6875	73.6
68	P6814M85-3535	3535	11.930	11.820	12.50	KF-1	3.9375	—	3.5	0.5	—	—	4	10.000	3.6875	64.2
72	P7214M85-3535	3535	12.632	12.522	13.19	KF-1	3.9375	—	3.5	0.5	—	—	4	10.688	3.6875	97.4
80	P8014M85-3535	3535	14.036	13.926	14.63	WF-2	3.9375	—	3.5	0.5	—	—	4	12.125	3.6875	68.4
90	P9014M85-3535	3535	15.790	15.680	—	W-3	3.9375	—	3.5	0.5	—	7	4	13.563	—	69.1
112	P11214M85-3535	3535	19.650	19.540	—	W-3	3.9375	—	3.5	0.5	—	7	4	17.375	—	85.7
144	P14414M85-4040	4040	25.264	25.154	—	W-3	4.4375	—	4	—	—	8.5	4	23.000	—	131.6
168	P16814M85-4040	4040	29.475	29.365	—	W-3	4.4375	—	4	—	—	8.5	4	27.250	—	146.1
192	P19214M85-4040	4040	33.686	33.576	—	W-3	4.4375	—	4	—	—	8.5	4	31.375	—	161.4

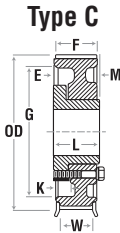
* Weight Shown is for Sprocket Less Bushing.
• Reverse Mount Only

+ The numbers (1=Solid, 2=Web, 3=Arms) within the "Type" indicates construction, and the letter F indicates the sprocket has flanges.

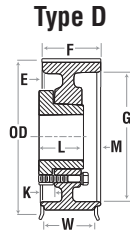
High Torque Sprockets 14mm



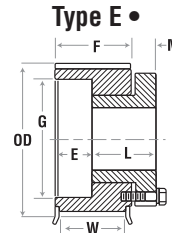
Type AF



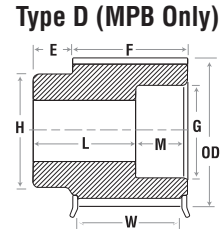
Type CF



Type DF



Type EF •

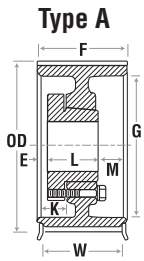


Type DF (MPB Only)

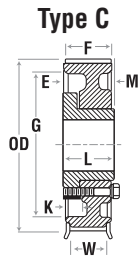
No. of Teeth	Catalog Number	Bore	Pitch	Diameter		Type +	Max Bore	Dimensions							Weight (lbs.)	
				O.D.	Flange			E	L	M	K	H	F	G		W
MPB 115mm (4.53 in.) Wide Belts (14M-115)																
28	P2814M115-MPB	1.25	4.912	4.808	5.56	DF-1	2.3125	1.25	5	1.5	—	3.6875	5.25	3.13	4.9375	23.2
29	P2914M115-MPB	1.25	5.088	4.983	5.56	DF-1	2.3125	1.25	5	1.5	—	3.6875	5.25	3.13	4.9375	24.8
30	P3014M115-MPB	1.25	5.263	5.157	6.13	DF-1	2.5	1.25	5	1.5	—	0.7656	5.25	3.90	4.9375	26.4
32	P3214M115-MPB	1.25	5.614	5.507	6.13	DF-1	2.5	1.25	5	1.5	—	0.7656	5.25	3.90	4.9375	30.8
34	P3414M115-MPB	1.25	5.965	5.858	6.50	DF-1	2.6875	1.25	5	1.5	—	4.4843	5.25	4.06	4.9375	35.2
36	P3614M115-MPB	1.25	6.316	6.208	6.81	DF-1	3	1.25	5	1.5	—	4.875	5.25	4.69	4.9375	38.8
38	P3814M115-MPB	1.25	6.667	6.559	7.16	DF-1	3.25	1.25	5	1.5	—	5.1718	5.25	4.94	4.9375	44.4
40	P4014M115-MPB	1.25	7.018	6.909	7.50	DF-1	3.4375	1.25	5	1.5	—	5.5625	5.25	5.06	4.9375	50.0
QD 115mm (4.53 in.) Wide Belts (14M-115)																
30	P3014M115-SK	1.25	5.263	5.157	6.13	AF-1	2.875	1.375	1.875	2	2	—	5.25	3.92	4.9375	12.0
32	P3214M115-SK	1.25	5.614	5.507	6.13	AF-1	2.875	1.375	1.875	2	2	—	5.25	3.92	4.9375	16.0
34	P3414M115-SK	1.25	5.965	5.858	6.50	AF-1	2.875	1.375	1.875	2	2	—	5.25	4.06	4.9375	17.0
36	P3614M115-SF	1.25	6.316	6.208	6.81	AF-1	3	1.375	2	1.875	2	—	5.25	4.69	4.9375	18.0
38	P3814M115-SF	1.25	6.667	6.559	7.16	AF-1	3	1.375	2	1.875	2	—	5.25	4.94	4.9375	22.0
40	P4014M115-SF	1.25	7.018	6.909	7.50	AF-1	3	1.375	2	1.875	2	—	5.25	5.06	4.9375	25.0
44	P4414M115-E	E	7.720	7.610	8.22	AF-1	3.5	0.9375	2.625	1.6875	1.8125	—	5.25	6.12	4.9375	30.0
48	P4814M115-E	E	8.421	8.311	8.94	AF-1	3.5	0.9375	2.625	1.6875	1.8125	—	5.25	6.50	4.9375	35.0
52	P5214M115-F	F	9.123	9.013	9.69	AF-1	4	0.375	3.625	1.25	1.375	—	5.25	7.18	4.9375	42.0
56	P5614M115-F	F	9.825	9.715	10.38	AF-1	4	0.375	3.625	1.25	1.375	—	5.25	7.88	4.9375	53.0
60	P6014M115-F	F	10.527	10.417	11.06	AF-1	4.5	0.375	3.625	1.25	1.375	—	5.25	8.50	4.9375	60.0
64	P6414M115-J	J	11.229	11.119	11.75	DF-1	4.5	0.1875	4.5	0.9375	1	—	5.25	9.25	4.9375	76.0
68	P6814M115-J	J	11.930	11.820	12.50	DF-1	4.5	0.1875	4.5	0.9375	1	—	5.25	10.00	4.9375	83.0
72	P7214M115-J	J	12.632	12.522	13.19	DF-1	4.5	0.1875	4.5	0.9375	1	—	5.25	10.69	4.9375	99.0
80	P8014M115-J	J	14.036	13.926	14.63	DF-2	4.5	0.1875	4.5	0.9375	1	—	5.25	12.13	4.9375	87.0
90	P9014M115-J	J	15.790	15.680	—	D-2	4.5	0.1875	4.5	0.9375	1	—	5.25	14.00	—	95.0
112	P11214M115-J	J	19.650	19.540	—	D-3	4.5	0.1875	4.5	0.9375	1	—	5.25	17.88	—	114.0
144	P14414M115-J	J	25.264	25.154	—	D-3	4.5	0.1875	4.5	0.9375	1	—	5.25	23.38	—	166.0
168	P16814M115-M	M	29.475	29.365	—	D-3	5.5	0.1875	4.5	0.9375	1	—	5.25	27.56	—	198.0
192	P19214M115-M	M	33.686	33.576	—	D-3	5.5	0.1875	4.5	0.9375	1	—	5.25	31.81	—	232.0
216	P21614M115-M	M	37.896	37.786	—	D-3	5.5	0.1875	4.5	0.9375	1	—	5.25	35.75	—	307.0
Taper Bushed 115mm (4.53 in.) Wide Belts (14M-115)																
30	P3014M115-2517	2517	5.263	5.153	6.13	WF-1	2.6875	1.75	1.75	1.75	—	—	5.25	3.928	4.9375	13.5
32	P3214M115-2517	2517	5.614	5.504	6.13	WF-1	2.6875	1.75	1.75	1.75	—	—	5.25	3.928	4.6875	17.3
34	P3414M115-2517	2517	5.965	5.855	6.50	WF-1	2.6875	1.75	1.75	1.75	—	—	5.25	4.063	4.6875	20.9
36	P3614M115-3020	3020	6.316	6.206	6.81	WF-1	3.25	1.625	2	1.625	—	—	5.25	4.688	4.6875	18.6
38	P3814M115-3020	3020	6.667	6.557	7.16	WF-1	3.25	1.625	2	1.625	—	—	5.25	4.813	4.6875	22.5
40	P4014M115-3020	3020	7.018	6.908	7.50	WF-1	3.25	1.625	2	1.625	—	—	5.25	5.063	4.6875	26.8
44	P4414M115-3535	3535	7.720	7.610	8.22	WF-1	3.9375	0.875	3.5	0.875	—	—	5.25	6.125	4.6875	30.8
48	P4814M115-3535	3535	8.421	8.311	8.94	WF-1	3.9375	0.875	3.5	0.875	—	—	5.25	6.500	4.6875	41.1
52	P5214M115-4040	4040	9.123	9.013	9.69	WF-1	4.4375	0.625	4	0.625	—	—	5.25	7.188	4.6875	46.9
56	P5614M115-4040	4040	9.825	9.715	10.38	WF-1	4.4375	0.625	4	0.625	—	—	5.25	7.875	4.6875	58.3
60	P6014M115-4040	4040	10.527	10.417	11.06	WF-1	4.4375	0.625	4	0.625	—	—	5.25	8.500	4.6875	70.9
64	P6414M115-4545	4545	11.229	11.119	11.75	WF-1	4.9375	0.375	4.5	0.375	—	—	5.25	9.250	4.6875	82.1
68	P6814M115-4545	4545	11.930	11.820	12.50	WF-1	4.9375	0.375	4.5	0.375	—	—	5.25	10.000	4.6875	97.1
72	P7214M115-4545	4545	12.632	12.522	13.19	WF-1	4.9375	0.375	4.5	0.375	—	—	5.25	10.688	4.6875	113.3
80	P8014M115-4545	4545	14.036	13.926	14.63	WF-2	4.9375	0.375	4.5	0.375	9.5	—	5.25	12.125	4.6875	108.9
90	P9014M115-4545	4545	15.790	15.680	—	W-2	4.9375	0.375	4.5	0.375	9.5	—	5.25	13.563	—	112.9
112	P11214M115-4545	4545	19.650	19.540	—	W-3	4.9375	0.375	4.5	0.375	9.5	—	5.25	17.375	—	122.4
144	P14414M115-4545	4545	25.264	25.154	—	W-3	4.9375	0.375	4.5	0.375	9.5	—	5.25	23.000	—	155.0
168	P16814M115-4545	4545	29.475	29.365	—	W-3	4.9375	0.375	4.5	0.375	9.5	—	5.25	27.250	—	188.0
192	P19214M115-4545	4545	33.686	33.576	—	W-3	4.9375	0.375	4.5	0.375	9.5	—	5.25	31.375	—	318.8
216	P21614M115-6050	6050	37.896	37.786	—	W-3	6	—	5	0.25	15.5	—	5.25	35.625	—	350.3

* Weight Shown is for Sprocket Less Bushing.
• Reverse Mount Only

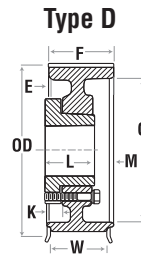
+ The numbers (1=Solid, 2=Web, 3=Arms) within the "Type" indicates construction, and the letter F indicates the sprocket has flanges.



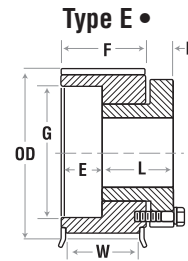
Type AF



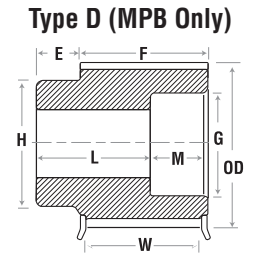
Type CF



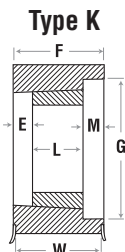
Type DF



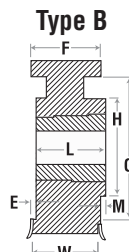
Type EF



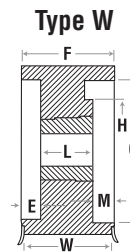
Type DF (MPB Only)



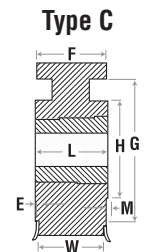
Type KF



Type BF



Type WF



Type CF

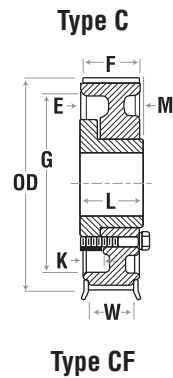
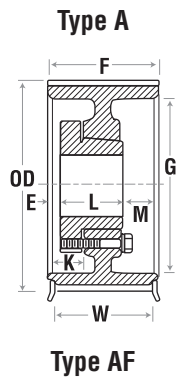
No. of Teeth	Catalog Number	Bore	Pitch	Diameter		Type +	Max Bore	Dimensions							Weight Approx (lbs.)	
				O.D.	Flange			E	L	M	K	H	F	G		W
MPB 170mm (6.69 in.) Wide Belts (14M-170)																
36	P3614M170-MPB	1.5	6.316	6.208	6.81	DF-1	3	1.125	6	2.625	—	4.875	7.375	4.69	7.0625	47.0
38	P3814M170-MPB	1.5	6.667	6.559	7.16	DF-1	3.125	1.125	6	2.625	—	5.1718	7.375	4.94	7.0625	55.7
40	P4014M170-MPB	1.5	7.018	6.909	7.50	DF-1	3.4375	1.125	6	2.625	—	5.5625	7.375	5.06	7.0625	63.7
44	P4414M170-MPB	1.5	7.720	7.610	8.22	DF-1	4.375	1.125	6	2.625	—	6.25	7.375	6.13	7.0625	75.7
48	P4814M170-MPB	1.5	8.421	8.311	8.94	DF-1	4.5	1.125	6	2.625	—	6.9375	7.375	6.50	7.0625	94.0
QD 170mm (6.69 in.) Wide Belts (14M-170)																
44	P4414M170-E	E	7.720	7.610	8.22	AF-1	3.625	2	2.625	2.75	2.875	—	7.375	6.12	7.0625	38.0
48	P4814M170-E	E	8.421	8.311	8.94	AF-1	3.625	2	2.625	2.75	2.4375	—	7.375	6.50	7.0625	45.0
52	P5214M170-F	F	9.123	9.013	9.69	AF-1	4	1.4375	3.625	2.3125	2.4375	—	7.375	7.18	7.0625	52.0
56	P5614M170-F	F	9.825	9.715	10.38	AF-1	4	1.4375	3.625	2.3125	2.125	—	7.375	7.88	7.0625	65.0
60	P6014M170-J	J	10.527	10.417	11.06	AF-1	4.5	0.9375	4.5	1.9375	2.125	—	7.375	8.50	7.0625	75.0
64	P6414M170-J	J	11.229	11.119	11.75	AF-1	4.5	0.9375	4.5	1.9375	2.125	—	7.375	9.25	7.0625	91.0
68	P6814M170-J	J	11.930	11.820	12.50	AF-1	4.5	0.9375	4.5	1.9375	2.125	—	7.375	10.00	7.0625	96.0
72	P7214M170-J	J	12.632	12.522	13.19	AF-1	4.5	0.9375	4.5	1.9375	2.125	—	7.375	10.69	7.0625	115.0
80	P8014M170-J	J	14.036	13.926	14.63	AF-2	4.5	0.9375	4.5	1.9375	2.125	—	7.375	12.13	7.0625	107.0
90	P9014M170-J	J	15.790	15.680	—	A-2	4.5	0.9375	4.5	1.9375	2.125	—	7.375	14.00	—	116.0
112	P11214M170-M	M	19.650	19.540	—	A-3	5.5	—	6.75	0.625	1.4375	—	7.375	17.88	—	175.0
144	P14414M170-M	M	25.264	25.154	—	A-3	5.5	—	6.75	0.625	1.4375	—	7.375	23.38	—	240.0
168	P16814M170-M	M	29.475	29.365	—	A-3	5.5	—	6.75	0.625	1.4375	—	7.375	27.56	—	278.0
192	P19214M170-M	M	33.686	33.576	—	A-3	5.5	—	6.75	0.625	1.4375	—	7.375	31.81	—	322.0
216	P21614M170-M	M	37.896	37.786	—	A-3	5.5	—	6.75	0.625	1.4375	—	7.375	35.75	—	399.0
Taper Bushed 170mm (6.69 in.) Wide Belts (14M-170)																
44	P4414M170-3535	3535	7.720	7.610	8.22	WF-1	3.9375	1.9375	3.5	1.9375	—	—	7.375	6.13	7.0625	39.7
48	P4814M170-3535	3535	8.421	8.311	8.94	WF-1	3.9375	1.9375	3.5	1.9375	—	—	7.375	6.50	7.0625	52.8
52	P5214M170-4040	4040	9.123	9.013	9.69	WF-1	4.4375	1.6875	4	1.6875	—	—	7.375	7.19	7.0625	59.8
56	P5614M170-4040	4040	9.825	9.715	10.38	WF-1	4.4375	1.6875	4	1.6875	—	—	7.375	7.88	7.0625	72.4
60	P6014M170-4545	4545	10.527	10.417	11.06	WF-1	4.9375	1.4375	4.5	1.4375	—	—	7.375	8.50	7.0625	83.7
64	P6414M170-4545	4545	11.229	11.119	11.75	WF-1	4.9375	1.4375	4.5	1.4375	—	—	7.375	9.25	7.0625	98.6
68	P6814M170-4545	4545	11.930	11.820	12.50	WF-1	4.9375	1.4375	4.5	1.4375	—	—	7.375	10.00	7.0625	114.4
72	P7214M170-4545	4545	12.632	12.522	13.19	WF-1	4.9375	1.4375	4.5	1.4375	—	—	7.375	10.69	7.0625	131.8
80	P8014M170-4545	4545	14.036	13.926	14.63	WF-2	4.9375	1.4375	4.5	1.4375	—	9.5	7.375	12.13	7.0625	129.3
90	P9014M170-4545	4545	15.790	15.680	—	W-2	4.9375	1.4375	4.5	1.4375	—	9.5	7.375	13.56	—	126.8
112	P11214M170-4545	4545	19.650	19.540	—	W-3	4.9375	1.4375	4.5	1.1875	—	9.5	7.375	17.38	—	148.0
144	P14414M170-6050	6050	25.264	25.154	—	W-3	6	1.1875	5	1.1875	—	15.5	7.375	23.00	—	208.0
168	P16814M170-6050	6050	29.475	29.365	—	W-3	6	1.1875	5	1.1875	—	15.5	7.375	27.25	—	227.0
192	P19214M170-6050	6050	33.686	33.576	—	W-3	6	1.1875	5	1.1875	—	15.5	7.375	31.38	—	340.0
216	P21614M170-6050	6050	37.896	37.786	—	W-3	6	1.1875	5	1.1875	—	15.5	7.375	35.63	—	390.0

* Weight Shown is for Sprocket Less Bushing.
• Reverse Mount Only

+ The numbers (1=Solid, 2=Web, 3=Arms) within the "Type" indicates construction, and the letter F indicates the sprocket has flanges.

High Torque Sprockets

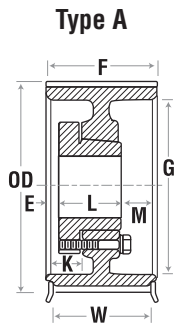
20mm



No. of Teeth	Catalog Number	Bore	Pitch	Diameter		Type +	Max Bore	Dimensions								Weight Approx. (lbs.)
				O.D.	Flange			E	L	M	K	H	F	G	W	
QD 115mm (4.53 in.) Wide Belts (20M-115)																
34	P3420M115-F	F	8.522	8.352	9.449	AF-1	4.00	0.44	3.63	1.31	1.44	—	5.38	6.88	5.0	32.0
36	P3620M115-F	F	9.023	8.853	9.843	AF-1	4.00	0.44	3.63	1.31	1.44	—	5.38	7.00	5.0	40.0
38	P3820M115-F	F	9.524	9.354	10.433	AF-1	4.00	0.44	3.63	1.31	1.44	—	5.38	7.56	5.0	45.0
40	P4020M115-F	F	10.026	9.856	10.827	AF-1	4.00	0.44	3.63	1.31	1.44	—	5.38	8.00	5.0	51.0
44	P4420M115-F	F	11.028	10.858	11.811	AF-1	4.00	0.44	3.63	1.31	1.44	—	5.38	8.93	5.0	63.0
48	P4820M115-J	J	12.031	11.861	12.795	AF-1	4.50	—	4.50	0.88	1.18	—	5.38	9.93	5.0	84.0
52	P5220M115-J	J	13.033	12.863	13.764	AF-2	4.50	—	4.50	0.88	1.18	—	5.38	10.88	5.0	80.0
56	P5620M115-J	J	14.036	13.866	14.764	AF-2	4.50	—	4.50	0.88	1.18	—	5.38	11.88	5.0	87.0
60	P6020M115-J	J	15.038	14.868	15.927	AF-2	4.50	—	4.50	0.88	1.18	—	5.38	13.06	5.0	94.0
64	P6420M115-J	J	16.041	15.871	16.929	AF-2	4.50	—	4.50	0.88	1.18	—	5.38	14.06	5.0	104.0
68	P6820M115-J	J	17.044	16.874	17.927	AF-2	4.50	—	4.50	0.88	1.18	—	5.38	15.00	5.0	110.0
72	P7220M115-J	J	18.046	17.876	18.898	AF-2	4.50	—	4.50	0.88	1.18	—	5.38	16.00	5.0	119.0
80	P8020M115-M	M	20.051	19.881	20.866	CF-2	5.50	1.25	6.75	0.12	0.18	—	5.38	18.00	5.0	182.0
90	P9020M115-M	M	22.558	22.388	23.425	CF-2	5.50	1.25	6.75	0.12	0.18	—	5.38	20.56	5.0	212.0
112	P11220M115-M	M	28.072	27.902	—	C-3	5.50	1.25	6.75	0.12	0.18	—	5.38	26.38	—	239.0
144	P14420M115-N	N	36.092	35.922	—	C-3	5.87	1.75	8.12	1.00	—	—	5.38	34.38	—	341.0
168	P16820M115-N	N	42.108	41.938	—	C-3	5.87	1.75	8.12	1.00	—	—	5.38	40.38	—	417.0
192	P19220M115-N	N	48.123	47.953	—	C-3	5.87	1.75	8.12	1.00	—	—	5.38	46.25	—	500.0
216	P21620M115-N	N	54.138	53.968	—	C-3	5.77	1.75	8.12	1.00	—	—	5.38	52.25	—	566.0

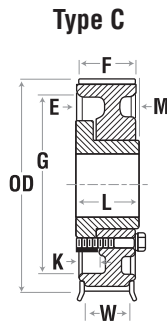
* Weight Shown is for Sprocket Less Bushing.
 • Reverse Mount Only

+ The numbers (1=Solid, 2=Web, 3=Arms) within the "Type" indicates construction, and the letter F indicates the sprocket has flanges.



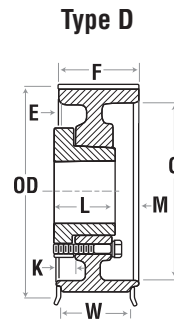
Type A

Type AF



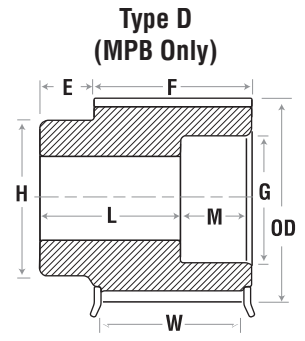
Type C

Type CF



Type D

Type DF



Type D
(MPB Only)

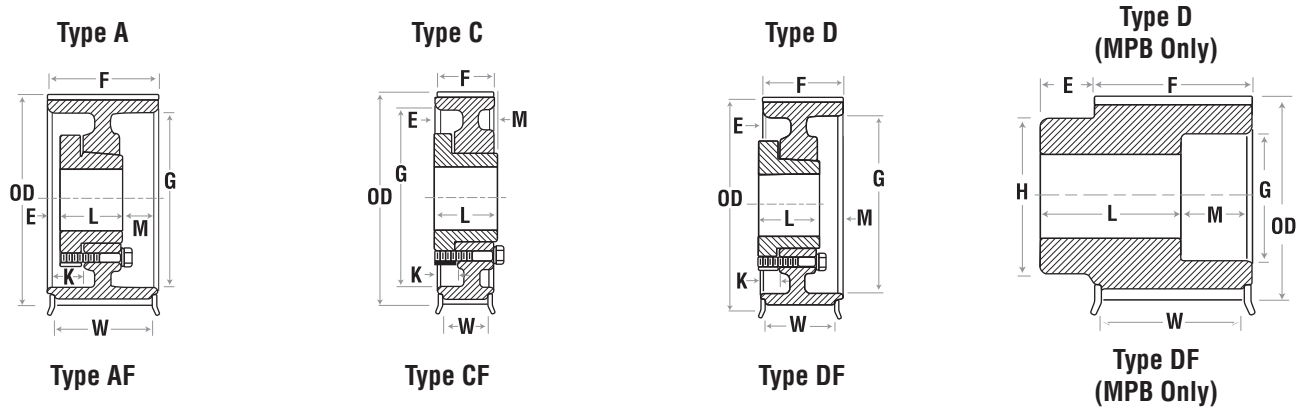
Type DF
(MPB Only)

No. of Teeth	Catalog Number	Bore	Pitch	Diameter		Type +	Max Bore	Dimensions								Weight Approx. (lbs.)
				O.D.	Flange			E	L	M	K	H	F	G	W	
QD 170mm (6.69 in.) Wide Belts (20M-170)																
34	P3420M170-MPB	2.125	8.522	8.352	9.449	DF-1	4.38	1.25	6.50	2.25	—	6.50	7.50	6.50	7.12	82.0
36	P3620M170-MPB	2.125	9.023	8.853	9.843	DF-1	4.50	1.25	6.50	2.25	—	7.00	7.50	7.00	7.12	93.0
MPB 170mm (6.69 in.) Wide Belts (20M-170)																
38	P3820M170-J	J	9.524	9.354	10.433	AF-1	4.50	1.00	4.50	2.00	2.18	—	7.50	7.56	7.12	56.0
40	P4020M170-J	J	10.026	9.856	10.827	AF-1	4.50	1.00	4.50	2.00	2.18	—	7.50	8.00	7.12	64.0
44	P4420M170-J	J	11.028	10.858	11.811	AF-1	4.50	1.00	4.50	2.00	2.18	—	7.50	8.93	7.12	81.0
48	P4820M170-M	M	12.031	11.861	12.795	AF-1	5.50	0.06	6.75	0.68	1.50	—	7.50	9.93	7.12	113.0
52	P5220M170-M	M	13.033	12.863	13.764	AF-1	5.50	0.06	6.75	0.68	1.50	—	7.50	10.88	7.12	141.0
56	P5620M170-M	M	14.036	13.866	14.764	AF-1	5.50	0.06	6.75	0.68	1.50	—	7.50	11.88	7.12	170.0
60	P6020M170-M	M	15.038	14.868	15.927	AF-1	5.50	0.06	6.75	0.68	1.50	—	7.50	13.06	7.12	199.0
64	P6420M170-M	M	16.041	15.871	16.929	AF-2	5.50	0.06	6.75	0.68	1.50	—	7.50	14.06	7.12	175.0
68	P6820M170-M	M	17.044	16.874	17.927	AF-2	5.50	0.06	6.75	0.68	1.50	—	7.50	15.00	7.12	187.0
72	P7220M170-M	M	18.046	17.876	18.898	AF-2	5.50	0.06	6.75	0.68	1.50	—	7.50	16.00	7.12	196.0
80	P8020M170-M	M	20.051	19.881	20.866	AF-2	5.50	0.06	6.75	0.68	1.50	—	7.50	18.00	7.12	214.0
90	P9020M170-M	M	22.558	22.388	23.425	AF-2	5.50	0.06	6.75	0.68	1.50	—	7.50	20.56	7.12	250.0
112	P11220M170-N	N	28.072	27.902	—	C-3	5.87	0.50	8.12	0.12	1.25	—	7.50	26.25	7.12	309.0
144	P14420M170-N	N	36.092	35.922	—	C-3	5.87	0.50	8.12	0.12	1.25	—	7.50	34.25	—	426.0
168	P16820M170-P	P	42.108	41.938	—	C-3	7.00	0.90	9.38	0.94	1.06	—	7.50	40.25	—	571.0
192	P19220M170-P	P	48.123	47.953	—	C-3	7.00	0.94	9.38	0.94	1.06	—	7.50	46.25	—	652.0
216	P21620M170-P	P	54.138	53.968	—	C-3	7.00	0.94	9.38	0.94	1.06	—	7.50	52.12	—	813.0

* Weight Shown is for Sprocket Less Bushing.
• Reverse Mount Only

+ The numbers (1=Solid, 2=Web, 3=Arms) within the "Type" indicates construction, and the letter F indicates the sprocket has flanges.

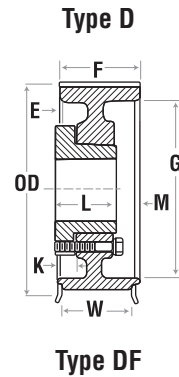
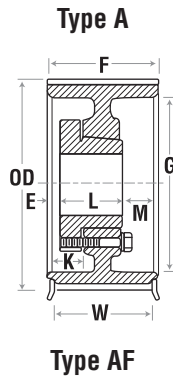
High Torque Sprockets 20mm



No. of Teeth	Catalog Number	Bore	Pitch	Diameter		Type +	Max Bore	Dimensions								Weight Approx. (lbs.)
				O.D.	Flange			E	L	M	K	H	F	G	W	
MPB 230mm (9.06 in.) Wide Belts (20M-230)																
38	P3820M230-MPB	2.875	9.524	9.354	10.433	DF-1	4.75	1.25	7.50	3.63	—	7.50	9.88	7.56	9.50	120.0
40	P4020M230-MPB	2.875	10.026	9.856	10.827	DF-1	5.25	1.25	8.50	2.63	—	8.00	9.88	8.00	9.50	147.0
44	P4420M230-MPB	2.875	11.028	10.858	11.811	DF-1	5.25	1.25	8.50	2.63	—	8.25	9.88	8.93	9.50	180.0
QD 230mm (9.06 in.) Wide Belts (20M-230)																
48	P4820M230-M	M	12.031	11.861	12.795	AF-1	5.50	0.56	6.75	2.56	2.00	—	9.88	9.93	9.50	129.0
52	P5220M230-M	M	13.033	12.863	13.764	AF-1	5.50	0.56	6.75	2.56	2.00	—	9.88	10.88	9.50	158.0
56	P5620M230-M	M	14.036	13.866	14.764	AF-1	5.50	0.56	6.75	2.56	2.00	—	9.88	11.88	9.50	189.0
60	P6020M230-M	M	15.038	14.868	15.927	AF-1	5.50	0.56	6.75	2.56	2.00	—	9.88	13.06	9.50	217.0
64	P6420M230-M	M	16.041	15.871	16.929	AF-2	5.50	0.56	6.75	2.56	2.00	—	9.88	14.06	9.50	198.0
68	P6820M230-N	N	17.044	16.874	17.927	AF-1	5.87	0.06	8.12	1.69	1.81	—	9.88	15.00	9.50	324.0
72	P7220M230-N	N	18.046	17.876	18.898	AF-2	5.87	0.06	8.12	1.69	1.81	—	9.88	16.00	9.50	287.0
80	P8020M230-N	N	20.051	19.881	20.866	AF-2	5.87	0.06	8.12	1.69	1.81	—	9.88	18.00	9.50	280.0
90	P9020M230-N	N	22.558	22.388	23.425	AF-2	5.87	0.06	8.12	1.69	1.81	—	9.88	20.56	9.50	319.0
112	P11220M230-N	N	28.072	27.902	—	A-3	5.87	0.06	8.12	1.69	1.81	—	9.88	26.25	—	357.0
144	P14420M230-P	P	36.092	35.922	—	D-3	7.00	0.69	9.38	1.19	1.31	—	9.88	34.25	—	535.0
168	P16820M230-P	P	42.108	41.938	—	D-3	7.00	0.69	9.38	1.19	1.31	—	9.88	40.25	—	654.0
192	P19220M230-W	W	48.123	47.953	—	C-3	8.50	0.75	11.38	0.75	1.50	—	9.88	46.00	—	935.0
216	P21620M230-W	W	54.138	53.968	—	C-3	8.50	0.75	11.38	0.75	1.50	—	9.88	52.00	—	1062.0

* Weight Shown is for Sprocket Less Bushing.
• Reverse Mount Only

+ The numbers (1=Solid, 2=Web, 3=Arms) within the "Type" indicates construction, and the letter F indicates the sprocket has flanges.



No. of Teeth	Catalog Number	Bore	Pitch	Diameter		Type +	Max Bore	Dimensions							Weight Approx. (lbs.)	
				O.D.	Flange			E	L	M	K	H	F	G		W
QD 290mm (11.42 in.) Wide Belts (20M-290)																
52	P5220M290-N	N	13.033	12.863	13.764	AF-1	5.87	0.75	8.12	2.38	2.50	—	12.25	10.88	11.88	187.0
56	P5620M290-N	N	14.036	13.866	14.764	AF-1	5.87	0.75	8.12	2.38	2.50	—	12.25	11.88	11.88	223.0
60	P6020M290-N	N	15.038	14.868	15.927	AF-1	5.87	0.75	8.12	2.38	2.50	—	12.25	13.06	11.88	257.0
64	P6420M290-N	N	16.041	15.871	16.929	AF-1	5.87	0.75	8.12	2.38	2.50	—	12.25	14.06	11.88	299.0
68	P6820M290-N	N	17.044	16.874	17.927	AF-1	5.87	0.75	8.12	2.38	2.50	—	12.25	15.00	11.88	346.0
72	P7220M290-N	N	18.046	17.876	18.898	AF-2	5.87	0.75	8.12	2.38	2.50	—	12.25	16.00	11.88	311.0
80	P8020M290-N	N	20.051	19.881	20.866	AF-2	5.87	0.75	8.12	2.38	2.50	—	12.25	18.00	11.88	314.0
90	P9020M290-N	N	22.558	22.388	23.425	AF-2	5.87	0.75	8.12	2.38	2.50	—	12.25	20.56	11.88	359.0
112	P11220M290-P	P	28.072	27.902	—	A-2	7.00	0.50	9.38	2.38	2.50	—	12.25	26.12	—	513.0
144	P14420M290-P	P	36.092	35.922	—	A-3	7.00	0.50	9.38	2.38	2.50	—	12.25	34.00	—	637.0
168	P16820M290-W	W	42.108	41.938	—	A-3	8.50	0.44	11.38	0.44	2.68	—	12.25	40.00	—	891.0
192	P19220M290-W	W	48.123	47.953	—	A-3	8.50	0.44	11.38	0.44	2.68	—	12.25	46.00	—	1061.0
216	P21620M290-W	W	54.138	53.968	—	A-3	8.50	0.44	11.38	0.44	2.68	—	12.25	52.00	—	1239.0
QD 340 mm (13.39 in.) Wide Belts (20M-340)																
52	P5220M340-N	N	13.033	12.863	13.764	AF-1	5.87	0.75	8.12	5.38	2.50	—	14.25	10.88	13.88	201.0
56	P5620M340-N	N	14.036	13.866	14.764	AF-1	5.87	0.75	8.12	5.38	2.50	—	14.25	11.88	13.88	239.0
60	P6020M340-N	N	15.038	14.868	15.927	AF-1	5.87	0.75	8.12	5.38	2.50	—	14.25	13.06	13.88	273.0
64	P6420M340-N	N	16.041	15.871	16.929	AF-1	5.87	0.75	8.12	5.38	2.50	—	14.25	14.06	13.88	316.0
68	P6820M340-N	N	17.044	16.874	17.927	AF-1	5.87	0.75	8.12	5.38	2.50	—	14.25	15.00	13.88	364.0
72	P7220M340-N	N	18.046	17.876	18.898	AF-2	5.87	0.75	8.12	5.38	2.50	—	14.25	16.00	13.88	330.0
80	P8020M340-P	P	20.051	19.881	20.866	AF-2	7.00	1.50	9.38	3.38	3.50	—	14.25	18.00	13.88	406.0
90	P9020M340-P	P	22.558	22.388	23.425	AF-2	7.00	1.50	9.38	3.38	3.50	—	14.25	20.56	13.88	426.0
112	P11220M340-P	P	28.072	27.902	—	A-2	7.00	1.50	9.38	3.38	3.50	—	14.25	26.12	—	543.0
144	P14420M340-W	W	36.092	35.922	—	A-3	8.50	0.38	11.38	2.50	2.63	—	14.25	34.00	—	814.0
168	P16820M340-W	W	42.108	41.938	—	A-3	8.50	0.38	11.38	2.50	2.63	—	14.25	40.00	—	947.0
192	P19220M340-S	S	48.123	47.953	—	D-3	10.00	2.50	15.75	1.00	1.12	—	14.25	46.00	—	1368.0
216	P21620M340-S	S	54.138	53.968	—	D-3	10.00	2.50	15.75	1.00	1.12	—	14.25	51.88	—	1555.0

* Weight Shown is for Sprocket Less Bushing.
• Reverse Mount Only

+ The numbers (1=Solid, 2=Web, 3=Arms) within the "Type" indicates construction, and the letter F indicates the sprocket has flanges.

HTS® 5mm Sprocket Diameters



No. of Teeth	Diameters mm in		No. of Teeth	Diameters mm in		No. of Teeth	Diameters mm in		No. of Teeth	Diameters mm in		No. of Teeth	Diameters mm in	
	PD	OD		PD	OD		PD	OD		PD	OD		PD	OD
13	20.69	19.55	43	68.44	67.30	73	116.18	115.04	103	163.93	162.79	133	211.68	210.54
	0.815	0.770		2.694	2.649		4.574	4.529		6.454	6.409		8.334	8.289
14	22.28	21.14	44	70.03	68.89	74	117.77	116.63	104	165.52	164.38	134	213.27	212.13
	0.877	0.832		2.757	2.712		4.637	4.592		6.517	6.472		8.396	8.351
15	23.87	22.73	45	71.62	70.48	75	119.37	118.23	105	167.11	165.97	135	214.86	213.72
	0.940	0.895		2.820	2.775		4.699	4.654		6.579	6.534		8.459	8.414
16	25.46	24.32	46	73.21	72.07	76	120.96	119.82	106	168.70	167.56	136	216.45	215.31
	1.003	0.958		2.882	2.837		4.762	4.717		6.642	6.597		8.522	8.477
17	27.06	25.92	47	74.80	73.66	77	122.55	121.41	107	170.3	169.16	137	218.04	216.90
	1.065	1.020		2.945	2.900		4.825	4.780		6.705	6.660		8.584	8.539
18	28.65	27.51	48	76.39	75.25	78	124.14	123.00	108	171.89	170.75	138	219.63	218.49
	1.128	1.083		3.008	2.963		4.887	4.842		6.767	6.722		8.647	8.602
19	30.24	29.10	49	77.99	76.85	79	125.73	124.59	109	173.48	172.34	139	221.23	220.09
	1.191	1.146		3.070	3.025		4.950	4.905		6.830	6.785		8.710	8.665
20	31.83	30.69	50	79.58	78.94	80	127.32	126.18	110	175.07	173.93	140	222.82	221.68
	1.253	1.208		3.133	3.088		5.013	4.968		6.893	6.848		8.772	8.727
21	33.42	32.28	51	81.17	80.03	81	128.92	127.78	111	176.66	175.52	141	224.41	223.27
	1.316	1.271		3.196	3.151		5.075	5.030		6.955	6.910		8.835	8.790
22	35.01	33.87	52	82.76	81.62	82	130.51	129.37	112	178.25	177.11	142	226.00	224.86
	1.379	1.334		3.258	3.213		5.138	5.093		7.018	6.973		8.898	8.853
23	36.61	35.47	53	84.35	83.21	83	132.10	130.96	113	179.85	178.71	143	227.59	226.45
	1.441	1.396		3.321	3.276		5.201	5.156		7.081	7.036		8.960	8.915
24	38.20	37.06	54	85.94	84.80	84	133.69	132.55	114	181.44	180.30	144	229.18	228.04
	1.504	1.459		3.384	3.339		5.263	5.218		7.143	7.098		9.023	8.978
25	39.79	38.65	55	87.54	86.40	85	135.28	134.14	115	183.03	181.89	145	230.77	229.63
	1.566	1.521		3.446	3.401		5.326	5.281		7.206	7.161		9.086	9.041
26	41.38	40.24	56	89.13	87.99	86	136.87	135.73	116	184.62	183.48	146	232.37	231.23
	1.629	1.584		3.509	3.464		5.389	5.344		7.268	7.223		9.148	9.103
27	42.97	41.83	57	90.72	89.58	87	138.46	137.32	117	186.21	185.07	147	233.96	232.82
	1.692	1.647		3.572	3.527		5.451	5.406		7.331	7.286		9.211	9.166
28	44.56	43.42	58	92.31	91.17	88	140.06	138.92	118	187.80	186.66	148	235.55	234.41
	1.754	1.709		3.634	3.589		5.514	5.469		7.394	7.349		9.274	9.229
29	46.15	45.01	59	93.90	92.76	89	141.65	140.51	119	189.39	188.25	149	237.14	236.00
	1.817	1.772		3.697	3.652		5.577	5.532		7.456	7.411		9.336	9.291
30	47.75	46.61	60	95.49	94.35	90	143.24	142.10	120	190.99	189.85	150	238.73	237.59
	1.880	1.835		3.760	3.715		5.639	5.594		7.519	7.474		9.399	9.354
31	49.34	48.20	61	97.08	95.94	91	144.83	143.69	121	192.58	191.44	151	240.32	239.18
	1.942	1.897		3.822	3.777		5.702	5.657		7.582	7.537		9.462	9.417
32	50.93	49.79	62	98.68	97.54	92	146.42	145.28	122	194.17	193.03	152	241.92	240.78
	2.005	1.960		3.885	3.840		5.765	5.720		7.644	7.599		9.524	9.479
33	52.52	51.38	63	100.27	99.13	93	148.01	146.87	123	195.76	194.62	153	243.51	242.37
	2.068	2.023		3.948	3.903		5.827	5.782		7.707	7.662		9.587	9.542
34	54.11	52.97	64	101.86	100.72	94	149.61	148.47	124	197.35	196.21	154	245.10	243.96
	2.130	2.085		4.010	3.965		5.890	5.845		7.770	7.725		9.650	9.605
35	55.70	54.56	65	103.45	102.31	95	151.20	150.06	125	198.94	197.80	155	246.69	245.55
	2.193	2.148		4.073	4.028		5.953	5.908		7.832	7.787		9.712	9.667
36	57.30	56.16	66	105.04	103.90	96	152.79	151.65	126	200.54	199.40	156	248.28	247.14
	2.256	2.211		4.136	4.091		6.015	5.970		7.895	7.850		9.775	9.730
37	58.89	57.75	67	106.63	105.49	97	154.38	153.24	127	202.13	200.99	157	249.87	248.73
	2.318	2.273		4.198	4.153		6.078	6.033		7.958	7.913		9.838	9.793
38	60.48	59.34	68	108.23	107.09	98	155.97	154.83	128	203.72	202.58	158	251.46	250.32
	2.381	2.336		4.261	4.216		6.141	6.096		8.020	7.975		9.900	9.855
39	62.07	60.93	69	109.82	108.68	99	157.56	156.42	129	205.31	204.17	159	253.06	251.92
	2.444	2.399		4.324	4.279		6.203	6.158		8.083	8.038		9.963	9.918
40	63.66	62.52	70	111.41	110.27	100	159.15	158.01	130	206.90	205.76	160	254.65	253.51
	2.506	2.461		4.386	4.341		6.266	6.221		8.146	8.101		10.026	9.981
41	62.25	64.11	71	113.00	111.86	101	160.75	159.61	131	208.49	207.35			
	2.569	2.524		4.449	4.404		6.329	6.284		8.208	8.163			
42	66.85	65.71	72	114.59	113.45	102	162.34	161.20	132	210.08	208.94			
	2.632	2.587		4.511	4.466		6.391	6.346		8.271	8.226			



HTS® 8mm Sprocket Diameters

No. of Teeth	mm in		No. of Teeth	mm in		No. of Teeth	mm in		No. of Teeth	mm in		No. of Teeth	mm in	
	PD	OD		PD	OD		PD	OD		PD	OD		PD	OD
22	56.02	54.66	57	145.15	143.78	92	234.28	232.90	127	323.41	322.03	162	412.53	411.16
	2.206	2.152		5.715	5.660		9.223	9.169		12.733	12.678		16.241	16.187
23	58.57	57.20	58	147.70	146.32	93	236.82	235.45	128	325.95	324.58	163	415.08	413.70
	2.306	2.252		5.815	5.761		9.324	9.270		12.833	12.779		16.342	16.288
24	61.12	59.74	59	150.24	148.87	94	239.37	238.00	129	328.50	327.12	164	417.62	416.25
	2.406	2.352		5.915	5.861		9.424	9.370		12.933	12.879		16.442	16.388
25	63.66	62.28	60	152.79	151.42	95	241.92	240.54	130	331.04	329.67	165	420.17	418.8
	2.506	2.452		6.015	5.961		9.524	9.470		13.033	12.979		16.542	16.488
26	66.21	64.85	61	155.34	153.96	96	244.46	243.09	131	333.59	332.22	166	422.72	421.34
	2.607	2.553		6.116	6.062		9.624	9.570		13.133	13.079		16.642	16.588
27	68.75	67.39	62	157.88	156.51	97	247.01	245.64	132	336.14	334.76	167	425.26	423.89
	2.707	2.653		6.216	6.162		9.725	9.671		13.234	13.180		16.743	16.689
28	71.30	70.08	63	160.43	159.06	98	249.55	248.18	133	338.68	337.31	168	427.81	426.44
	2.807	2.759		6.316	6.262		9.825	9.771		13.334	13.280		16.843	16.789
29	73.85	72.62	64	162.97	161.60	99	252.10	250.73	134	341.23	339.86	169	430.35	428.98
	2.907	2.859		6.416	6.362		9.925	9.871		13.434	13.380		16.943	16.889
30	76.39	75.13	65	165.52	164.15	100	254.65	253.28	135	343.77	342.40	170	432.90	431.53
	3.008	2.958		6.517	6.463		10.025	9.971		13.534	13.480		17.043	16.989
31	78.94	77.65	66	168.07	166.70	101	257.19	255.82	136	346.32	344.95	171	435.45	434.08
	3.108	3.057		6.617	6.563		10.126	10.072		13.635	13.581		17.144	17.090
32	81.49	80.16	67	170.61	169.24	102	259.74	258.37	137	348.87	347.50	172	437.99	436.62
	3.208	3.156		6.717	6.663		10.226	10.172		13.735	13.681		17.244	17.190
33	84.03	82.68	68	173.16	171.79	103	262.29	260.92	138	351.41	350.04	173	440.54	439.17
	3.308	3.255		6.817	6.763		10.326	10.272		13.835	13.781		17.344	17.290
34	86.58	85.22	69	175.71	174.34	104	264.83	263.46	139	353.96	352.59	174	443.09	441.72
	3.409	3.355		6.918	6.864		10.427	10.372		13.935	13.881		17.444	17.390
35	89.13	87.76	70	178.25	176.88	105	267.38	266.01	140	356.51	355.14	175	445.63	444.26
	3.509	3.455		7.018	6.964		10.527	10.473		14.036	13.982		17.544	17.491
36	91.67	90.30	71	180.80	179.43	106	269.93	268.56	141	359.05	357.68	176	448.18	446.81
	3.609	3.555		7.118	7.064		10.628	10.573		14.136	14.082		17.645	17.591
37	94.22	92.85	72	183.35	181.97	107	272.47	271.10	142	361.60	360.23	177	450.73	449.36
	3.709	3.655		7.218	7.164		10.728	10.673		14.236	14.182		17.745	17.691
38	96.77	95.39	73	185.89	184.52	108	275.02	273.65	143	364.15	362.77	178	453.27	451.90
	3.810	3.756		7.319	7.265		10.828	10.771		14.336	14.282		17.845	17.791
39	99.31	97.94	74	188.44	187.07	109	277.57	276.19	144	366.69	365.32	179	455.82	454.45
	3.910	3.856		7.419	7.365		10.928	10.874		14.437	14.383		17.946	17.892
40	101.86	100.49	75	190.99	189.61	110	280.11	278.74	145	369.24	367.87	180	458.37	456.99
	4.010	3.956		7.519	7.465		11.028	10.974		14.537	14.483		18.046	17.992
41	104.41	103.03	76	193.53	192.16	111	282.66	281.29	146	371.79	370.41	181	460.91	459.54
	4.110	4.056		7.619	7.565		11.128	11.074		14.637	14.583		18.146	18.092
42	106.95	105.58	77	196.08	194.71	112	285.21	283.83	147	374.33	372.96	182	463.46	462.09
	4.211	4.157		7.720	7.666		11.229	11.175		14.737	14.683		18.246	18.192
43	109.50	108.13	78	198.63	197.25	113	287.75	286.38	148	376.88	375.51	183	466.01	464.63
	4.311	4.257		7.820	7.766		11.329	11.275		14.838	14.784		18.347	18.293
44	112.05	110.67	79	201.17	199.81	114	290.30	288.93	149	379.43	378.05	184	468.55	467.18
	4.411	4.357		7.920	7.866		11.429	11.375		14.938	14.884		18.447	18.393
45	114.59	113.22	80	203.72	202.35	115	292.85	291.47	150	381.96	380.60	185	471.10	469.73
	4.511	4.457		8.020	7.966		11.529	11.475		15.038	14.984		18.547	18.493
46	117.14	115.77	81	206.26	204.89	116	295.39	294.02	151	384.52	383.15	186	473.65	472.27
	4.612	4.558		8.121	8.067		11.630	11.576		15.138	15.084		18.647	18.593
47	119.68	118.31	82	208.81	207.44	117	297.94	296.57	152	387.06	385.70	187	476.19	474.82
	4.712	4.658		8.221	8.167		11.730	11.676		15.239	15.185		18.748	18.694
48	122.23	120.86	83	211.36	209.99	118	300.48	299.11	153	389.61	388.24	188	478.74	477.37
	4.812	4.758		8.321	8.267		11.830	11.776		15.339	15.285		18.848	18.794
49	124.78	123.41	84	213.90	212.53	119	303.03	301.66	154	392.16	390.79	189	481.28	479.91
	4.912	4.858		8.421	8.367		11.930	11.876		15.439	15.385		18.948	18.894
50	127.32	125.95	85	216.45	215.08	120	305.58	304.21	155	394.70	393.33	190	483.83	482.46
	5.013	4.959		8.522	8.468		12.031	11.977		15.540	15.486		19.048	18.994
51	129.87	128.50	86	219.00	217.63	121	308.12	306.75	156	397.25	395.88	191	486.38	485.01
	5.113	5.059		8.622	8.568		12.131	12.077		15.640	15.586		19.149	19.095
52	132.42	131.05	87	221.54	220.17	122	310.67	309.30	157	399.80	398.43	192	488.92	487.55
	5.213	5.159		8.722	8.668		12.231	12.177		15.740	15.686		19.249	19.195
53	134.96	133.59	88	224.09	222.72	123	313.22	311.85	158	402.34	400.97	193	491.47	490.10
	5.314	5.259		8.822	8.768		12.331	12.277		15.840	15.786		19.349	19.295
54	137.51	136.14	89	226.64	225.27	124	315.76	314.39	159	404.89	403.52	194	494.02	492.65
	5.414	5.360		8.923	8.869		12.432	12.378		15.941	15.887		19.449	19.395
55	140.06	138.68	90	229.18	227.81	125	318.31	316.94	160	407.44	406.07	195	496.57	495.20
	5.514	5.460		9.023	8.969		12.532	12.478		16.041	15.987		19.549	19.495
56	142.60	141.23	91	231.73	230.36	126	320.86	319.48	161	409.98	408.61	196	499.12	497.75
	5.614	5.560		9.123	9.069		12.632	12.578		16.141	16.087		19.649	19.595

HTS® 14mm Sprocket Diameters



No. of Teeth	mm in		No. of Teeth	mm in		No. of Teeth	mm in		No. of Teeth	mm in		No. of Teeth	mm in	
	PD	OD		PD	OD		PD	OD		PD	OD		PD	OD
28	124.78 4.912	122.12 4.808	66	294.12 11.579	291.32 11.469	104	463.46 18.246	460.66 18.136	142	632.80 24.913	630.01 24.803	180	802.14 31.580	799.35 31.47
29	129.23 5.088	126.57 4.983	67	298.57 11.755	295.78 11.645	105	467.92 18.422	465.12 18.312	143	637.26 25.089	634.46 24.979	181	806.60 31.756	803.80 31.646
30	133.69 5.263	130.99 5.157	68	303.03 11.930	300.24 11.820	106	472.37 18.597	469.58 18.487	144	641.71 25.264	638.92 25.154	182	811.05 31.931	808.26 31.821
31	138.15 5.439	135.46 5.333	69	307.49 12.106	304.69 11.996	107	476.83 18.773	474.03 18.663	145	646.17 25.440	643.37 25.330	183	815.51 32.107	812.72 31.997
32	142.60 5.614	139.88 5.507	70	311.94 12.281	309.15 12.171	108	481.28 18.948	478.49 18.838	146	650.63 25.615	647.83 25.505	184	819.97 32.252	817.17 32.172
33	147.06 5.790	144.35 5.683	71	316.40 12.457	313.61 12.347	109	485.74 19.124	482.95 19.014	147	655.08 25.791	652.29 25.681	185	824.42 32.458	821.63 32.348
34	151.52 5.965	148.79 5.858	72	320.86 12.632	318.06 12.522	110	490.20 19.299	487.40 19.189	148	659.54 25.966	656.74 25.856	186	828.88 32.633	826.08 32.523
35	155.98 6.141	153.24 6.033	73	325.31 12.808	322.52 12.698	111	494.65 19.475	491.86 19.365	149	663.99 26.141	661.20 26.031	187	833.33 32.808	830.54 32.698
36	160.43 6.316	157.68 6.208	74	329.77 12.983	326.97 12.873	112	499.11 19.650	496.32 19.540	150	668.45 26.317	665.66 26.207	188	837.79 32.954	835.00 32.874
37	164.88 6.491	162.13 6.383	75	334.22 13.158	331.43 13.048	113	503.57 19.825	500.77 19.715	151	672.91 26.492	670.11 26.382	189	842.25 33.159	839.45 33.049
38	169.34 6.667	166.60 6.559	76	338.68 13.334	335.89 13.224	114	508.20 20.001	505.23 19.891	152	677.36 26.668	674.57 26.558	190	846.70 33.335	843.91 33.225
39	173.80 6.842	171.02 6.733	77	343.14 13.509	340.34 13.399	115	512.48 20.176	509.68 20.066	153	681.82 26.843	679.03 26.733	191	851.16 33.510	848.37 33.400
40	178.25 7.018	175.49 6.909	78	347.59 13.685	344.80 13.575	116	516.93 20.352	514.14 20.242	154	690.73 27.194	687.94 27.084	192	855.62 33.686	852.82 33.576
41	182.71 7.193	179.92 7.083	79	352.05 13.860	349.26 13.750	117	521.39 20.527	518.60 20.417	155	690.73 27.194	687.94 27.084	193	860.07 33.861	857.28 33.751
42	187.17 7.369	184.37 7.259	80	356.51 14.036	353.71 13.926	118	525.85 20.703	523.05 20.593	156	695.19 27.370	692.39 27.260	194	864.53 34.037	861.75 33.927
43	191.62 7.544	188.83 7.434	81	360.96 14.211	358.17 14.101	119	530.30 20.878	527.51 20.768	157	699.64 27.545	696.85 27.435	195	868.98 34.212	866.44 34.112
44	196.08 7.720	193.28 7.610	82	365.42 14.387	362.63 14.277	120	534.76 21.054	531.97 20.944	158	704.10 27.720	701.31 27.610	196	873.44 34.387	870.64 34.277
45	200.53 7.895	197.74 7.785	83	369.88 14.562	367.08 14.452	121	539.22 21.229	536.42 21.119	159	708.56 27.896	705.76 27.786	197	877.90 34.553	875.11 34.453
46	204.99 8.071	202.20 7.961	84	374.33 14.737	371.54 14.627	122	543.67 21.404	540.88 21.294	160	713.01 28.071	710.22 27.961	198	882.35 34.738	879.55 34.628
47	209.45 8.246	206.65 8.136	85	378.79 14.913	375.99 14.803	123	548.13 21.580	545.34 21.470	161	717.47 28.247	714.68 28.137	199	886.81 34.914	884.02 34.804
48	213.90 8.421	211.11 8.311	86	383.24 15.068	380.45 14.978	124	552.59 21.755	549.79 21.645	162	721.93 28.422	719.13 28.312	200	891.27 35.089	888.47 34.979
49	218.36 8.597	215.57 8.487	87	387.70 15.264	384.91 15.154	125	557.04 21.931	554.25 21.821	163	726.38 28.598	723.59 28.488	201	895.72 35.265	892.94 35.155
50	222.82 8.772	220.02 8.662	88	392.16 15.439	389.36 15.329	126	561.50 22.106	558.70 21.996	164	730.84 28.773	728.05 28.663	202	900.18 35.440	897.38 35.330
51	227.27 8.948	224.48 8.838	89	396.61 15.615	393.82 15.505	127	565.95 22.282	563.16 22.172	165	735.30 28.949	732.50 28.839	203	906.64 35.616	901.85 35.506
52	231.73 9.123	228.94 9.013	90	401.07 15.790	398.28 15.680	128	570.41 22.457	567.62 22.347	166	739.75 29.124	736.96 29.014	204	909.09 35.791	906.30 35.681
53	236.19 9.229	233.39 9.189	91	405.53 15.966	402.73 15.856	129	574.87 22.633	572.07 22.523	167	744.21 29.299	741.41 29.189	205	913.55 35.966	910.74 35.856
54	240.64 9.474	237.85 9.354	92	409.98 16.141	407.19 16.031	130	579.32 22.808	576.53 22.689	168	748.66 29.475	745.87 29.365	206	918.00 36.142	915.21 36.032
55	245.10 9.650	242.30 9.540	93	414.44 16.316	411.64 16.206	131	583.78 22.983	580.99 22.873	169	753.12 29.650	750.33 29.540	207	922.46 36.317	919.66 36.207
56	249.55 9.825	246.76 9.715	94	418.90 16.492	416.10 16.382	132	588.24 23.159	585.44 23.049	170	757.58 29.826	754.78 29.716	208	926.92 36.493	924.13 36.383
57	254.01 10.000	251.22 9.890	95	423.35 16.667	420.56 16.557	133	592.69 23.334	589.90 23.224	171	762.03 30.001	759.24 29.891	209	931.97 36.668	928.57 36.558
58	258.47 10.176	255.67 10.066	96	427.81 16.843	425.01 16.733	134	597.15 23.510	594.35 23.400	172	766.49 30.177	763.70 30.067	210	935.83 36.844	933.04 36.734
59	262.92 10.351	260.13 10.241	97	432.26 17.018	429.47 16.908	135	601.61 23.685	598.81 23.575	173	770.95 30.352	768.15 3.242	211	940.29 37.019	937.49 36.909
60	267.38 10.527	264.59 10.417	98	436.72 17.194	433.93 17.084	136	606.06 23.861	603.27 23.751	174	775.40 30.528	772.61 30.418	212	944.74 37.195	941.96 37.085
61	271.84 10.702	269.04 10.592	99	441.18 17.369	438.38 17.259	137	610.52 24.036	607.72 23.926	175	779.86 30.703	777.06 30.593	213	949.20 37.370	946.40 37.260
62	276.29 10.878	273.50 10.768	100	445.63 17.545	442.84 17.435	138	614.97 24.212	612.18 24.102	176	784.32 30.878	781.52 30.768	214	953.65 37.545	950.85 37.435
63	280.75 11.053	277.95 10.943	101	450.09 17.720	447.30 17.610	139	619.43 24.387	616.64 24.277	177	788.77 31.054	785.98 30.944	215	958.11 37.721	955.32 37.611
64	285.21 11.229	282.41 11.119	102	454.55 17.895	451.75 17.785	140	623.89 24.562	621.09 24.452	178	793.23 31.228	790.43 31.119	216	962.57 37.896	959.76 37.786
65	289.66 11.404	286.87 11.294	103	459.00 18.071	456.21 17.961	141	628.34 24.738	625.55 24.628	179	797.68 31.405	794.89 31.295			



HTS® 20mm Sprocket Diameters

No. of Teeth	mm in		No. of Teeth	mm in		No. of Teeth	mm in		No. of Teeth	mm in		No. of Teeth	mm in	
	Diameters			Diameters			Diameters			Diameters			Diameters	
	PD	OD		PD	OD		PD	OD		PD	OD		PD	OD
34	216.45 8.522	212.13 8.352	71	452.00 17.795	447.68 17.625	108	687.55 27.069	683.23 26.899	145	923.10 36.342	918.78 36.172	182	1158.65 45.616	1154.33 45.446
35	222.82 8.772	218.50 8.602	72	458.37 18.046	454.05 17.876	109	693.92 27.320	689.60 27.150	146	929.46 36.593	925.15 36.423	183	1165.01 45.867	1160.70 45.697
36	229.18 9.023	224.87 8.853	73	464.73 18.297	460.41 18.127	110	700.28 27.570	695.96 27.400	147	935.83 36.840	931.51 36.674	184	1171.38 46.117	1167.06 45.947
37	235.55 9.274	231.23 9.104	74	471.10 18.547	466.78 18.377	111	706.65 27.821	702.33 27.651	148	942.20 37.094	937.88 36.924	185	1177.75 46.368	1173.43 46.198
38	241.92 9.524	237.60 9.354	75	477.46 18.798	473.15 18.628	112	713.01 28.071	708.70 27.901	149	948.56 37.345	944.25 37.175	186	1184.11 46.619	1179.79 46.449
39	248.28 9.775	243.96 9.605	76	483.83 19.048	479.51 18.878	113	719.38 28.322	715.06 28.152	150	954.93 37.596	950.61 37.426	187	1190.48 46.859	1186.16 46.699
40	254.65 10.026	250.33 9.855	77	490.20 19.299	485.88 19.129	114	725.75 28.573	721.43 28.403	151	961.30 37.846	956.98 37.676	188	1196.85 47.120	1192.53 46.950
41	261.01 10.276	256.70 10.106	78	496.56 19.550	492.25 19.380	115	732.11 28.823	727.79 28.653	152	967.66 38.097	963.34 37.927	189	1203.21 47.371	1198.89 47.201
42	267.38 10.527	263.06 10.357	79	502.93 19.800	498.61 19.630	116	738.48 29.074	734.16 28.904	153	974.03 38.348	969.71 38.178	190	1209.58 47.621	1205.26 47.451
43	273.75 10.777	269.43 10.607	80	509.30 20.051	504.98 19.881	117	744.85 29.325	740.53 29.155	154	980.39 38.598	976.08 38.428	191	1215.94 47.672	1211.63 47.702
44	280.11 11.028	275.79 10.858	81	515.66 20.302	511.34 20.132	118	751.21 29.575	746.89 29.405	155	986.76 38.849	982.44 38.679	192	1222.31 48.122	1217.99 47.952
45	286.48 11.279	282.16 11.109	82	522.03 20.552	517.71 20.382	119	757.58 29.826	753.26 29.656	156	993.13 39.099	988.81 38.929	193	1228.68 48.373	1224.36 48.203
46	292.85 11.529	288.53 11.469	83	528.39 20.803	524.08 20.633	120	763.94 30.077	759.63 29.907	157	999.49 39.350	995.18 39.180	194	1235.04 48.624	1230.72 48.454
47	299.21 11.780	294.89 11.610	84	534.76 21.054	530.44 20.884	121	770.31 30.327	765.99 30.157	158	1005.86 39.601	1001.54 39.431	195	1241.41 48.874	1237.09 48.704
48	305.58 12.031	301.26 11.861	85	541.13 21.304	536.81 21.134	122	776.68 30.578	772.36 30.408	159	1012.23 39.851	1007.91 39.681	196	1247.77 49.125	1243.46 48.955
49	311.94 12.281	307.63 12.111	86	547.49 21.555	543.18 21.385	123	783.04 30.828	778.72 30.658	160	1018.59 40.102	1014.27 39.932	197	1254.14 49.376	1249.82 49.206
50	318.31 12.532	313.99 12.362	87	553.86 21.805	549.54 21.635	124	789.41 31.079	785.09 30.909	161	1024.96 40.353	1020.64 40.183	198	1260.51 49.626	1256.19 49.456
51	324.68 12.763	320.36 12.613	88	560.23 22.056	555.91 21.886	125	795.77 31.330	791.46 31.160	162	1031.32 40.603	1027.01 40.433	199	1266.87 49.577	1262.56 49.707
52	331.04 13.033	326.72 12.863	89	566.59 22.307	562.27 22.137	126	805.14 31.580	797.82 31.410	163	1037.69 40.854	1033.37 40.684	200	1273.24 50.128	1268.92 49.958
53	337.41 13.284	333.09 13.114	90	572.96 22.557	568.64 22.387	127	808.51 31.831	804.19 31.661	164	1044.06 41.105	1039.74 40.935	201	1279.61 50.378	1275.29 50.208
54	343.77 13.534	339.46 13.364	91	579.32 22.808	575.01 22.638	128	814.87 32.082	810.56 31.912	165	1050.42 41.355	1046.10 41.185	202	1285.97 50.629	1281.65 50.459
55	350.14 13.785	345.82 13.615	92	585.69 23.059	581.37 22.889	129	821.24 32.332	816.92 32.162	166	1056.79 41.606	1052.47 41.436	203	1292.34 50.679	1288.02 50.709
56	356.51 14.036	352.19 13.856	93	592.06 23.309	587.74 23.139	130	827.61 32.583	823.29 32.413	167	1063.16 41.856	1058.84 41.686	204	1298.70 51.130	1294.39 50.960
57	362.87 14.286	358.56 14.116	94	598.42 23.560	594.10 23.390	131	833.97 32.834	829.65 32.664	168	1069.52 42.107	1065.20 41.937	205	1305.07 51.381	1300.75 51.211
58	369.24 14.537	364.92 14.367	95	604.72 23.811	600.47 23.641	132	840.34 33.084	836.02 32.914	169	1075.89 42.358	1071.57 42.188	206	1311.44 51.631	1307.12 51.461
59	375.61 14.788	371.29 14.618	96	611.15 24.061	606.84 23.891	133	846.70 33.335	842.39 33.165	170	1082.25 42.608	1077.94 42.438	207	1317.80 51.882	1313.48 51.712
60	381.97 15.038	377.65 14.868	97	617.52 24.312	613.20 24.142	134	853.07 33.585	848.75 33.415	171	1088.62 42.859	1084.30 42.689	208	1324.17 52.133	1319.85 51.963
61	388.34 15.289	384.02 15.119	98	623.89 24.562	619.57 24.392	135	859.44 33.836	855.12 33.666	172	1094.99 43.110	1090.67 42.940	209	1330.54 52.383	1326.22 52.213
62	394.70 15.540	390.39 15.370	99	630.25 24.813	625.94 24.643	136	865.80 34.087	861.48 33.917	173	1101.35 43.350	1097.03 43.190	210	1336.90 52.634	1332.58 52.464
63	401.07 15.790	396.75 15.620	100	636.62 25.064	632.30 24.894	137	872.17 34.337	867.85 34.167	174	1107.72 43.611	1103.40 43.441	211	1343.27 52.885	1338.95 52.715
64	407.44 16.041	403.12 15.871	101	642.99 25.314	638.67 25.144	138	878.54 34.588	874.22 34.418	175	1114.08 43.862	1109.77 43.692	212	1349.63 53.135	1345.32 52.965
65	413.80 16.291	409.48 16.121	102	649.35 25.565	645.03 25.395	139	884.90 34.839	880.58 34.669	176	1120.45 44.112	1116.13 43.942	213	1356.00 53.386	1351.68 53.216
66	420.17 16.542	415.85 16.372	103	655.72 25.816	651.40 25.646	140	891.27 35.089	886.95 34.919	177	1126.82 44.363	1122.50 44.193	214	1362.37 53.635	1358.05 53.456
67	426.54 16.793	422.22 16.623	104	662.08 26.066	657.77 25.896	141	897.63 35.340	893.32 35.170	178	1133.18 44.614	1128.87 44.444	215	1368.73 53.887	1364.41 53.717
68	432.90 17.043	428.58 16.873	105	668.45 26.317	664.13 26.147	142	904.00 35.591	899.68 35.421	179	1139.55 44.854	1135.23 44.694	216	1375.10 54.136	1370.79 53.958
69	439.27 17.299	434.95 17.124	106	674.82 26.568	670.50 26.398	143	910.37 35.841	906.05 35.671	180	1145.92 45.115	1141.60 44.945			
70	445.63 17.545	441.32 17.375	107	681.18 26.818	676.87 26.648	144	916.73 36.092	912.41 35.922	181	1152.28 45.365	1147.96 45.195			

DRIVE ALIGNMENT

To assure proper drive alignment, you should refer to the information in this section for center distance alignment. The alternative is to change the idler position, so that the belt can be slipped onto the drive easily. When you install the belt, never force it over the flange. This may cause belt tensile damage.

Positive belts are most sensitive to misalignment, so never use this kind of drive in applications where misalignment is prevalent. Inconsistent belt wear and premature tensile failure may result.

The two most common types of misalignment can be seen in the drawings below. Parallel misalignment is caused when the driver and driven shafts are parallel, but the two sprockets lie in different planes. When the two shafts are not parallel, the drive is angularly misaligned.

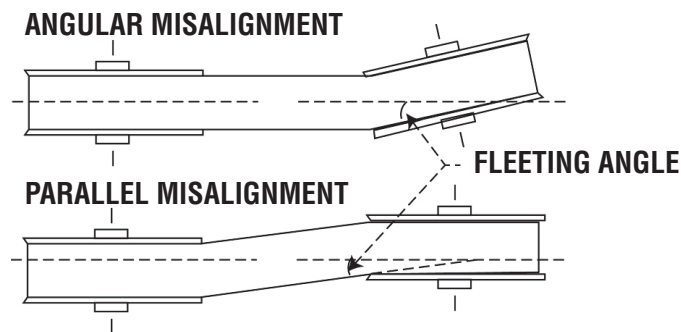
A fleeting angle (shown here) shows where the belt enters and exits the sprocket, and equals the sum of the parallel and angular misalignments.

Any degree of sprocket misalignment will result in some belt life reduction. Misalignment of all positive belt drives should not exceed 1/4" or 1/16" per foot of center distance. Alignment should be checked with a good straight-edge tool applied to their machined side surfaces from driver to driven and from driven to driver shafts. This way the effect of parallel and angular misalignment can be observed.

Drive misalignment can also cause problems of belt tracking. Some tracking is normal and will not affect performance. However, where center distance is greater than eight times the small sprocket diameter, tracking can be a problem. Special adjustment may be needed. You have to correct the parallel position of the two sprockets until one flange guides the belt in the system and the belt tracks fully on all sprockets. Regardless of the drive's center distance, the best operation will be with the belt contacting only one flange in the system.

You will find the real application problem when the belt contacts flanges on opposite sides of the sprockets. This traps the belt into undesirable parallel misalignment.

Improper bushing installation can result in the entire bushing/sprocket assembly to be "cocked" on the shaft. This leads to angular misalignment. Be sure to follow 's bushing installation instructions.



INSTALLATION AND TENSIONING ALLOWANCES

We do not recommend fixed center drives. To avoid belt damage and excessive wear, refer to the Distance Allowance Charts. The standard installation allowance is the minimum decrease in the center distance required to install a belt when flanged sprockets are removed from their shafts for belt installation. The charts first column spells this out with more comprehensive information needed for the minimum increase in center distance required for a belt's tension during its normal life.

If a belt is to be installed over flanged sprockets without removing them, the additional installation center distance allowances shown in the second table must be added to the first table data.

Distance Allowance Chart

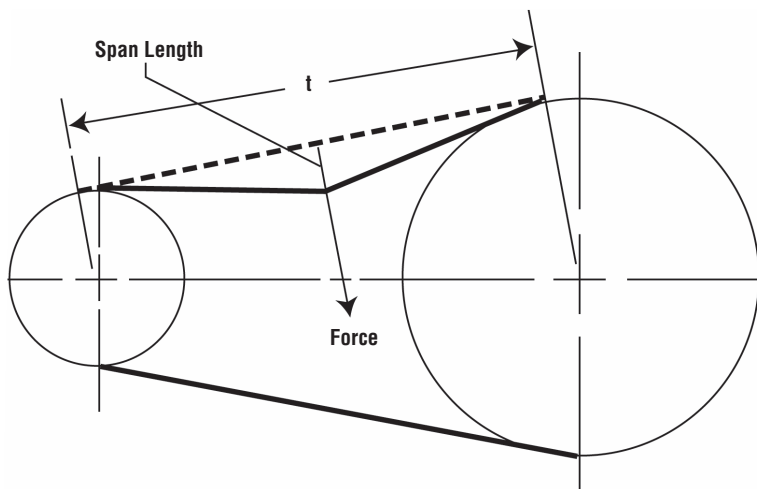
Belt Length (in)	* Standard Installation Allowance	Tensioning Allowance (Any Drive)
20 and under	0.04"	0.03"
Over 20 to 40	0.05"	0.03"
Over 40 to 60	0.07"	0.04"
Over 60 to 90	0.09"	0.05"
Over 90 to 120	0.11"	0.05"
Over 120 to 160	0.14"	0.05"
Over 160 to 190	0.17"	0.05"
Over 190 to 260	0.21"	0.05"

* Flanged Sprockets Removed for Installation.

HTS BELT TENSIONING AND DEFLECTION FORCE

Lay the belt on the sprockets, adjusting the takeup, so that the belt teeth mesh securely with sprocket grooves. Measure the belt span "t." Then tighten the belt, so that it deflects 1/64" for each inch of belt span when a force is applied. (See Table below.)

Example: A 14mm pitch belt, 85mm wide, with a span of 30" and a maximum force of 28 lbs. applied, should deflect 30/64 inch. Deflection 1/64 per inch of span. (Measure the span length "t" as shown in the sketch below).



$$t = \sqrt{C^2 - \frac{(D - d)^2}{2}}$$

These ranges of deflection forces are applicable for drive installation. Actual operation tension depends on the number of teeth mesh, system rigidity, peak loads, etc.

Belt Pitch	Belt Width	Force*
5mm	9mm	9 to 18 oz.
	15mm	1 to 2 lbs.
	25mm	1-1/2 to 3 lbs.
8mm	20mm	3 to 4 lbs.
	30mm	5 to 6-1/2 lbs.
	50mm	9 to 12 lbs.
14mm	85mm	16 to 20 lbs.
	40 mm	10 to 13 lbs.
	55mm	15 to 18 lbs.
	85 mm	23 to 28 lbs.
20mm	115mm	32 to 39 lbs.
	170mm	48 to 57 lbs.
	115mm	45 to 55 lbs.
	170mm	70 to 85 lbs.
20mm	230mm	95 to 120 lbs.
	290mm	120 to 150 lbs.
	340mm	145 to 180 lbs.
	340mm	145 to 180 lbs.

*Force applies to speeds exceeding 600 rpm.

Note: For belts wider than 2", you can avoid belt distortion by placing a 3/4" or 1" metal strip across the belt between belt and tension tester.